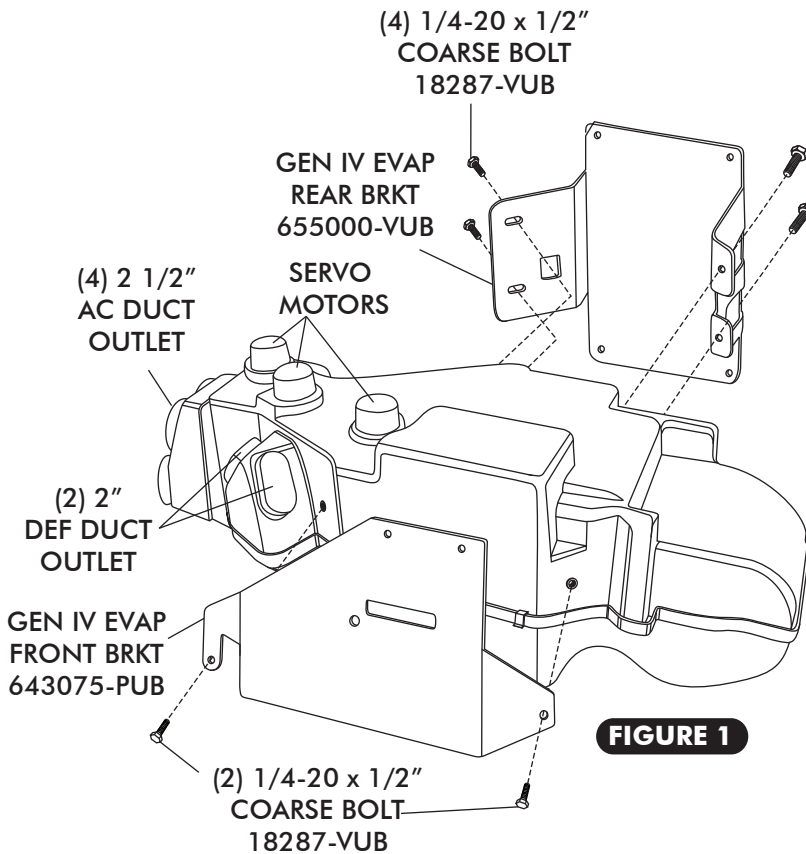


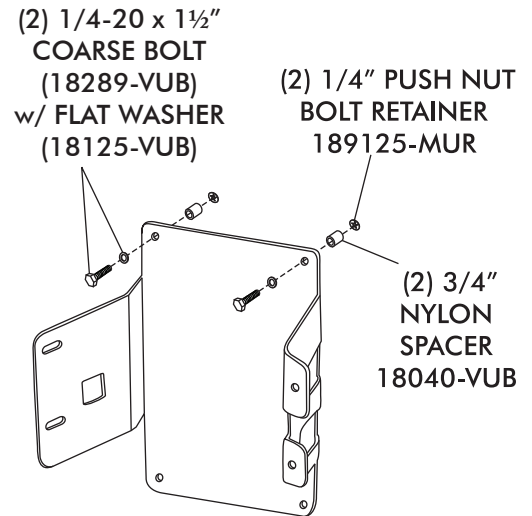


## GEN IV MOCK-UP UNIT PACKING LIST

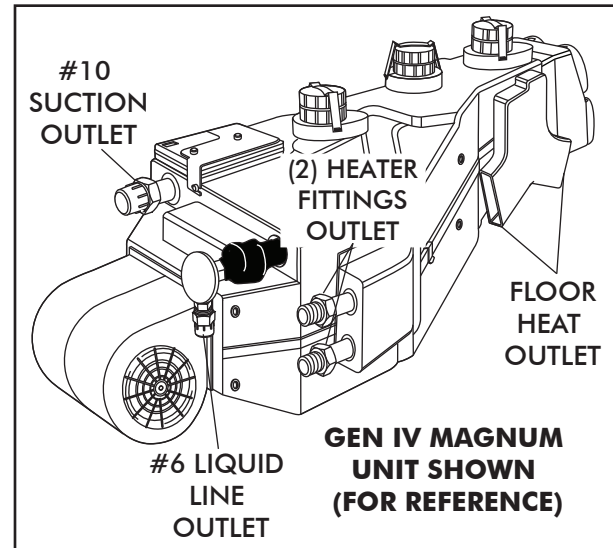
- REMOVE THE (6) 1/4-20 x 1/2" COARSE HEX BOLTS FROM THE SUB CASE AND INSTALL FRONT AND REAR EVAPORATOR MOUNTING BRACKETS AS SHOWN IN FIGURE 1.
- IF APPLICABLE INSTALL MOUNTING HARDWARE AS SHOWN IN FIGURE 2.



**FIGURE 1**



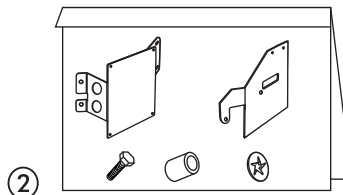
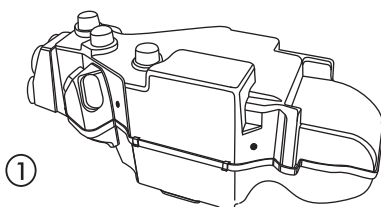
**FIGURE 2**



## GEN IV MOCK-UP UNIT PACKING LIST

**MOCK-UP UNIT  
671450**

No.	QTY.	PART No.	DESCRIPTION
1.	1	550052	GEN IV MAGNUM MOCK-UP SUB CASE
2.	1	654000-VUA	GEN IV MAGNUM MNTG KIT



CHECKED BY: \_\_\_\_\_  
 PACKED BY: \_\_\_\_\_  
 DATE: \_\_\_\_\_