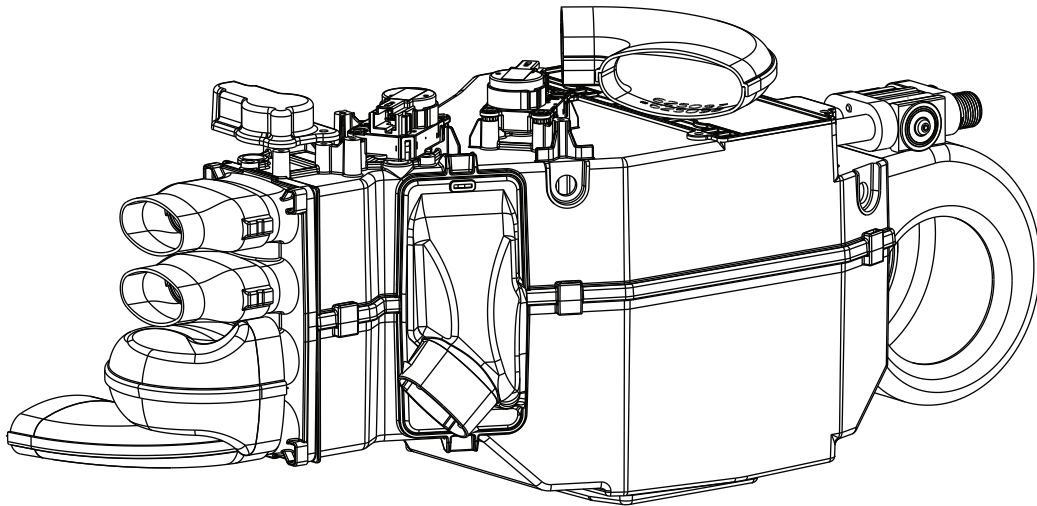




Gen 5 Magnum Builder Series

Plenum Sampler Kit
(625390)



18865 Goll St. San Antonio, TX 78266
Phone: 800-862-6658
Sales: sales@vintageair.com
Tech Support: tech@vintageair.com
www.vintageair.com



www.vintageair.com

Table of Contents

Cover.....	1
Table of Content/Parts Disclaimer.....	2
Additional Info.....	3
Plenum Installation.....	4
Plenum Installation (Cont.).....	5
Packing List.....	6

Parts Disclaimer: Please Read

Before beginning installation, open all packages and check contents of shipment. Please report any shortages directly to Vintage Air within 15 days. After 15 days, Vintage Air will not be responsible for missing or damaged items. Packing list located on last page of instructions.

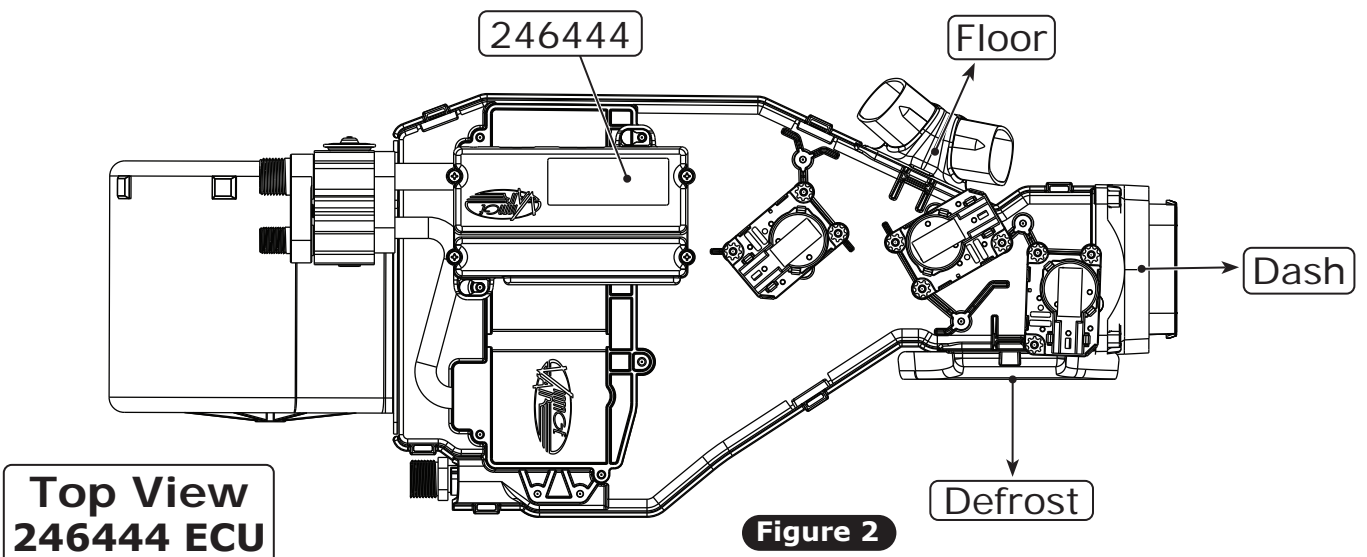
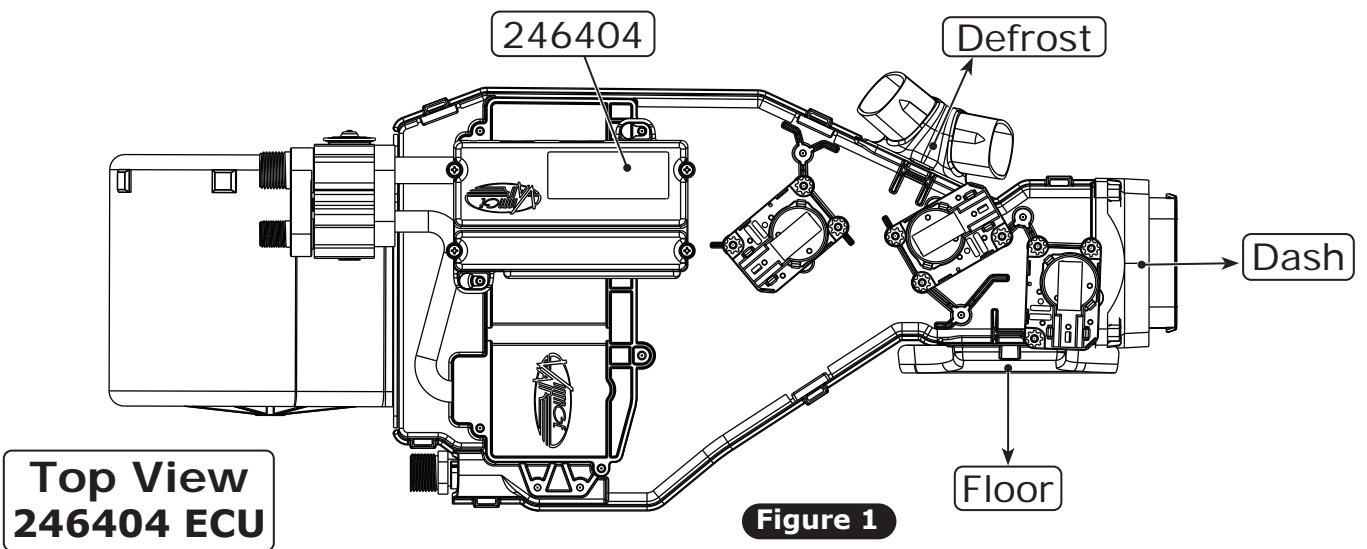


www.vintageair.com

Additional Info: Please Read

This Plenum Sampler Kit was designed to help installers with Gen 5 Magnum installations. Some of these plastic adapters will work for any evaporator module and some will only fit the 4-vent plenum of the Gen 5 Magnum. This instruction shows different views to give an idea on how to use these new adapters.

The ECU must have the correct program based on the location of the defrost and floor plenums. The defrost and floor plenum can be swapped. When the plenums are swapped, it will require a different program for the ECU. If the correct ECU program is not installed, please send the ECU to Vintage Air to have it reflashed at no cost (See Figure 1 and 2, below).



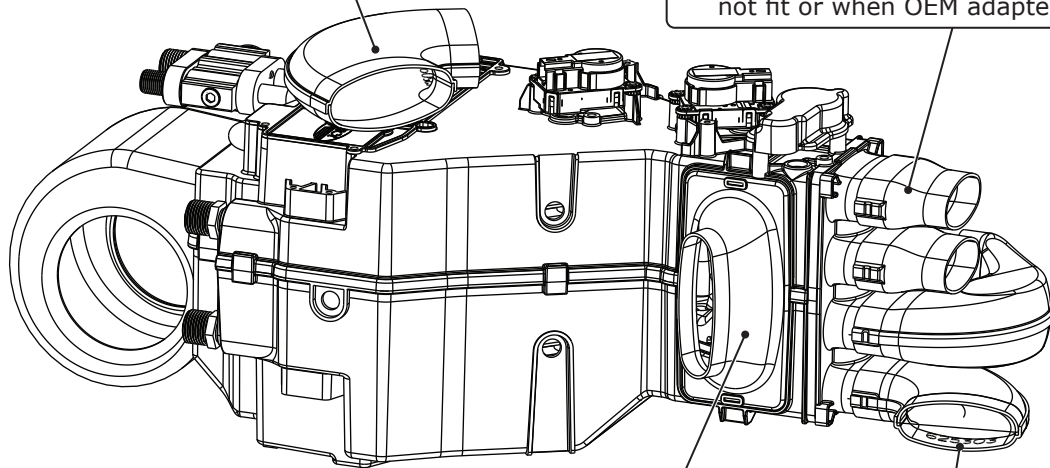


www.vintageair.com

Plenum Installation

3" Adapter (2 1/2" also included)
Common use: Change the orientation of the duct hose in tight areas.

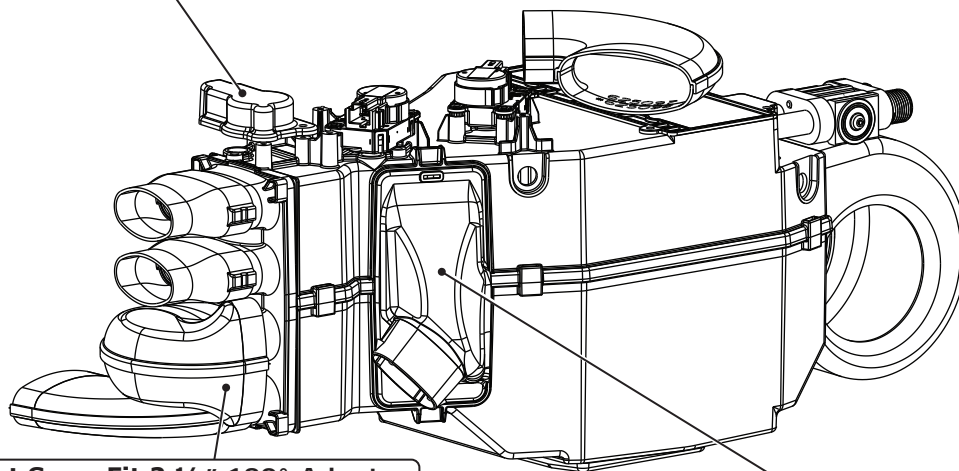
4-vent Snap-Fit (2 1/2" to 2" Reducer)
Common use: When 2 1/2" duct hose does not fit or when OEM adapters are 2"



3" Plenum Adapter (2 1/2" also included)
Common use: For single defrost duct.

4-vent Snap-Fit 2 1/2" 80° Adapter
Common use: To clear center console panel or to clear anything located in center of the vehicle.

Actuator Wire Protector
Common use: To protect the plug and wires when the actuator is resting on the firewall.



4-vent Snap-Fit 2 1/2" 180° Adapter
Common use: To change the orientation of the duct hose in tight areas, usually used for the passenger-side louver.

Floor Plenum Adapter with 2" Adapter and Large Opening on Opposite Side
Common use: To connect a 2" duct hose for driver-side floor (If used on back side of the module, the 2" adapter will work for passenger-side).

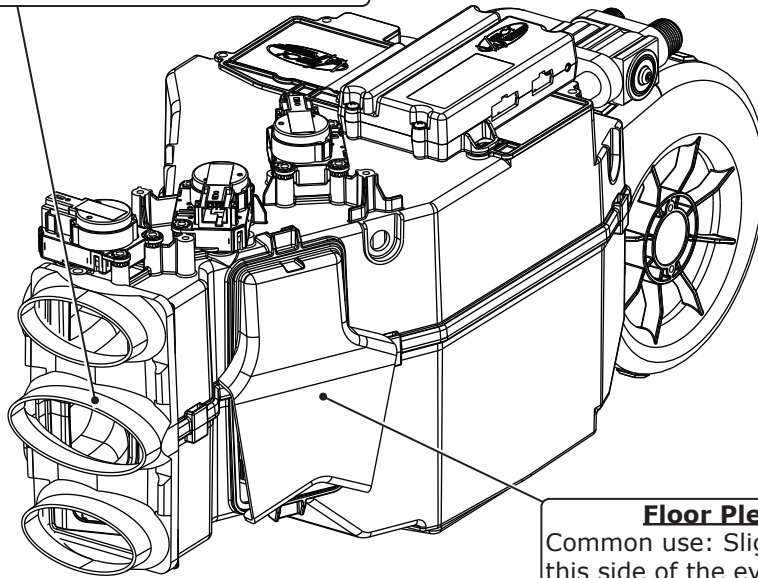


www.vintageair.com

Plenum Installation (Cont.)

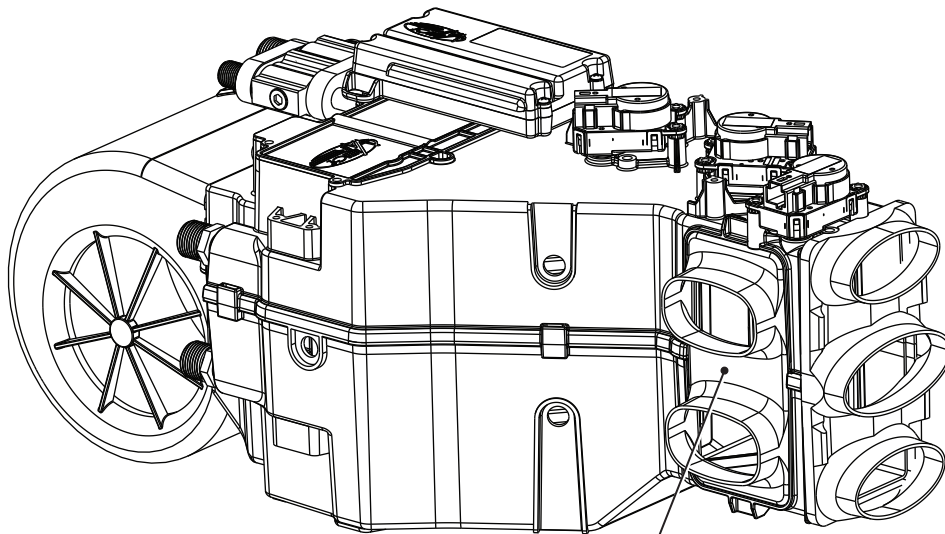
3-Vent Dash Plenum Adapter

Common use: For dashes with just (3) louvers, usually the middle 3" vent is used on the single center vent. When all (3) vents have a 2 1/2" adapter, a 3-vent dash plenum adapter with (3) 2 1/2" outlets is also included.



Floor Plenum Modified

Common use: Slightly trimmed to fit on this side of the evaporator. Non-trimmed part # 625338.



Defrost Plenum Adapter (2) 2 1/2"

Common use: For 2 1/2" defrost ducts.



www.vintageair.com

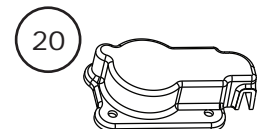
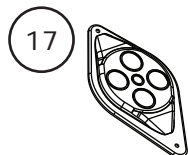
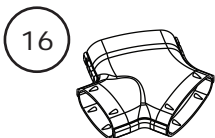
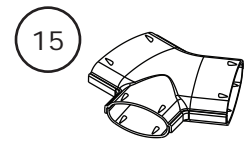
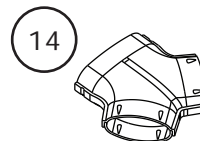
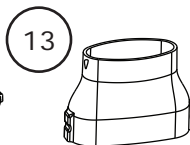
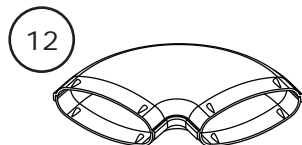
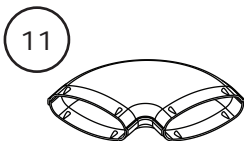
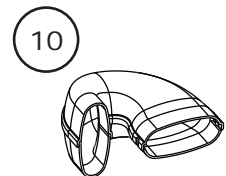
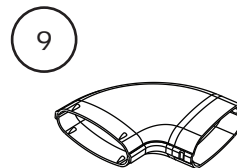
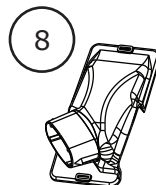
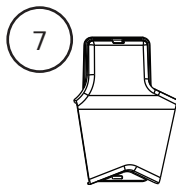
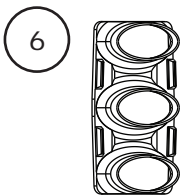
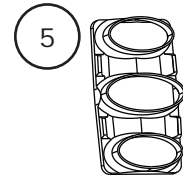
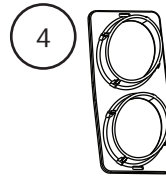
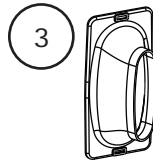
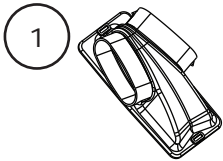
Packing List: Gen 5 Magnum Builder Series Plenum Sampler Kit (625390)

No.	Qty.	Part No.	Description
1.	1	625321	Plenum, Defrost, (2) 2.5"
2.	1	625250	Plenum, Defrost, Single 2.5"
3.	1	625350	Plenum, Defrost, Single 3"
4.	1	629905	Plenum, Defrost, (2) 2.5"
5.	1	629906	Plenum, Dash, 3-Vent, (2) 2.5" (1) 3"
6.	1	629909	Plenum, Dash, (3) 2.5"
7.	1	625340	Plenum, Floor, Modified
8.	1	625370	Plenum, Floor with 2" Hose Adapter
9.	1	625305	Hose Adapter, 2.5" to 2.5", 80° (to use on 4-vent plenum 625330)
10.	1	625310	Hose Adapter, 2.5" to 2.5", 180° (to use on 4-vent plenum 625330)
11.	1	625094	Hose Adapter, 2.5" to 2.5" with 115° angle
12.	1	625098	Hose Adapter, 3" to 3" with 115° angle
13.	1	625375	Hose Adapter Reducer, 2" Hose (to use on 4-vent plenum 625330)
14.	1	625325	Splitter, 2.5" to (2) 2" (to use on 4-vent plenum 625330)
15.	1	625315	Splitter, 2.5" to 2.5" to 2"
16.	1	625355	Splitter, 2.5" to 2.5" to 2" (to use on 4-vent plenum 625330)
17.	1	622230	Fresh Air Cap, Hose Pass Through
18.	4	33137-VUI	Grommet, Large
19.	1	33144-VUI	Grommet, 7/8" O.D. x 3/8" I.D.
20.	1	625299	Actuator Cover, Wire Protector

Checked By: _____

Packed By: _____

Date: _____



**NOTE: Images may not depict actual parts and quantities.
Refer to packing list for actual parts and quantities.**