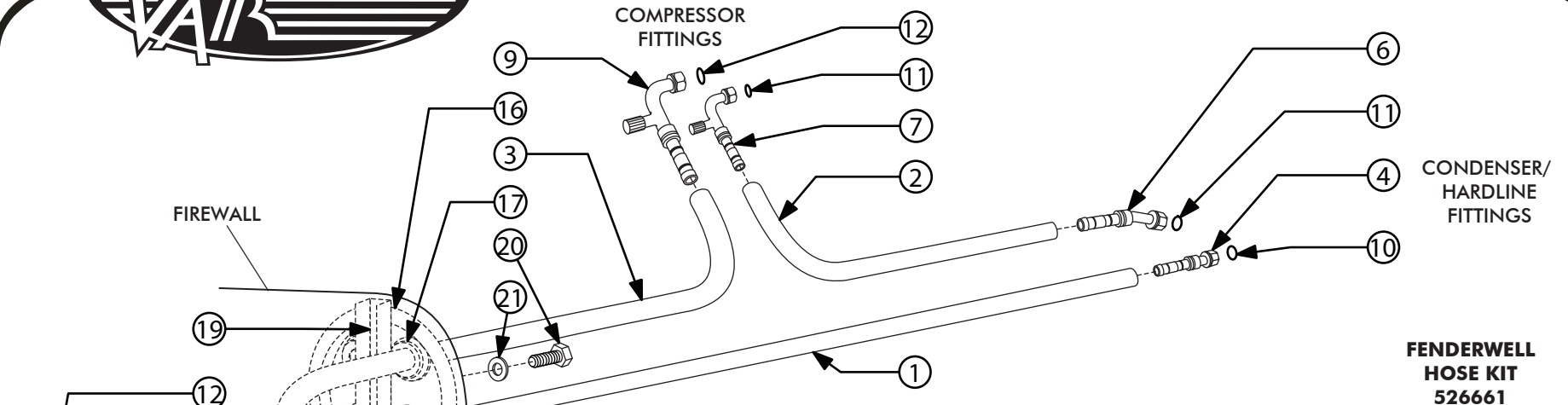




# GEN IV FENDERWELL HOSE KIT EZ CLIP



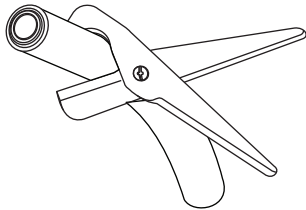
No.	QTY.	PART No.	DESCRIPTION
1.	10	318600-VUR	EZ CLIP AC HOSE #6 (PER FOOT)
2.	5	318800-VUR	EZ CLIP AC HOSE #8 (PER FOOT)
3.	9	318000-VUR	EZ CLIP AC HOSE #10 (PER FOOT)
4.	1	347160-VUR	EZ CLIP #6 STRAIGHT
5.	1	347360-VUR	EZ CLIP #6 90 DEGREE
6.	1	347280-VUR	EZ CLIP #8 45 DEGREE
7.	1	347381-VUR	EZ CLIP #8 90 DEGREE w/ 134a SERVICE PORT
8.	1	347100-VUR	EZ CLIP #10 STRAIGHT
9.	1	347301-VUR	EZ CLIP #10 90 DEGREE w/ 134a SERVICE PORT
10.	2	33857-VUF	#6 O-RING
11.	2	33858-VUF	#8 O-RING
12.	4	33859-VUF	#10 O-RING
13.	1	41117-VUP	REFRIGERANT OIL TUBE
14.	5	21300-VUP	11" BLK TIE WRAP
15.	1	626667	66-72 CHEVELLE/NOVA KP FRESH AIR CAP
16.	1	62566-VCE	PLASTIC FRESH AIR CAP
17.	8	33137-VUI	GROMMET LARGE
18.	2	121004	HARDLINE HEATER FITTING
19.	1	64164-VCB	FRESH AIR CAP BRKT ASM
20.	1	18289-VUB	1/4-20 x 1 1/2" HEX HD ZINC
21.	1	18125-VUB	.250 ID x .750 OD FLAT WASHER ZINC
22.	2	347960-VUR	CLIP #6 CAGE
23.	4	347962-VUR	EZ CLIP #6 CLIP
24.	2	347980-VUR	CLIP #8 CAGE
25.	4	347982-VUR	EZ CLIP #8 CLIP
26.	2	347900-VUR	CLIP #10 CAGE
27.	4	347902-VUR	EZ CLIP #10 CLIP

CHECKED BY: \_\_\_\_\_  
 PACKED BY: \_\_\_\_\_  
 DATE: \_\_\_\_\_



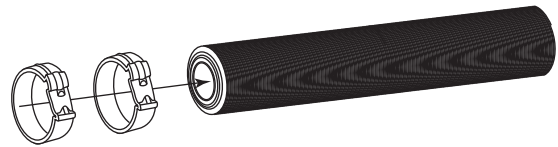
## E-Z Clip System™

### ASSEMBLY INSTRUCTIONS



#### STEP 1

ROUTE AND CUT HOSE TO DESIRED LENGTH, CUT HOSE WITH APPROPRIATE CUTTING TOOL. MAKE SURE HOSE IS CUT CLEAN AND SQUARE TO THE HOSE LENGTH.



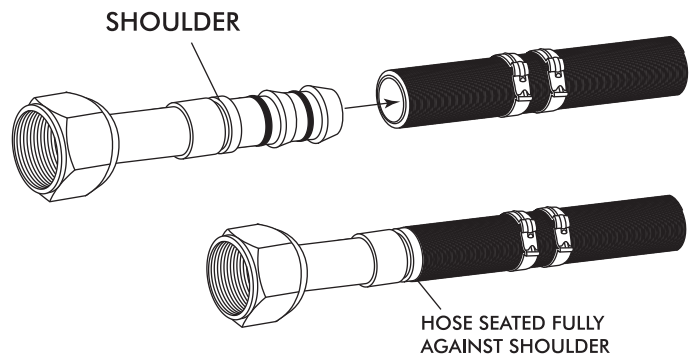
#### STEP 2

SLIP TWO PROPERLY SIZED CLIPS ONTO THE CUT END OF THE HOSE. NOTE: THE CLIPS CAN SLIP ON EITHER WAY, TO EASE INSTALLATION NOTE THE ORIENTATION OF CLIPS AND INSTALL THE TWO CLIPS IN THE SAME DIRECTION.



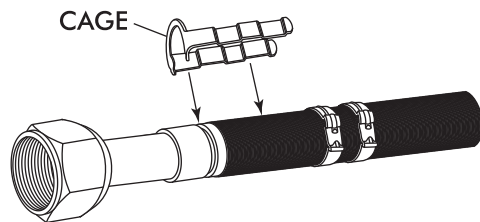
#### STEP 3

TO EASE INSTALLATION OF FITTING, APPLY REFRIGERATION OR A/C COMPRESSOR OIL TO THE END OF FITTING.



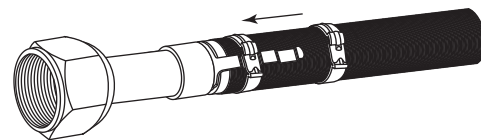
#### STEP 4

INSERT FITTING INTO CUT END OF HOSE AS SHOWN. MAKE SURE THE HOSE IS SEATED AGAINST THE SHOULDER OF FITTING, THIS WILL ENSURE THAT THE FITTING IS FULLY INSERTED INTO THE HOSE.



#### STEP 5

INSTALL CAGE ON FITTING & HOSE, SNAP CAGE INTO PLACE BY INSERTING CAGE INTO SLOT ON FITTING AS SHOWN.



#### STEP 6

SLIDE BOTH CLIPS OVER HOSE CAGE, INTO THE CHANNELS AS SHOWN.

#### STEP 7

USING THE PROPER PLIERS, SQUEEZE CLAMPS TOGETHER TO CLOSE & LOCK CLAMPS INTO PLACE.

