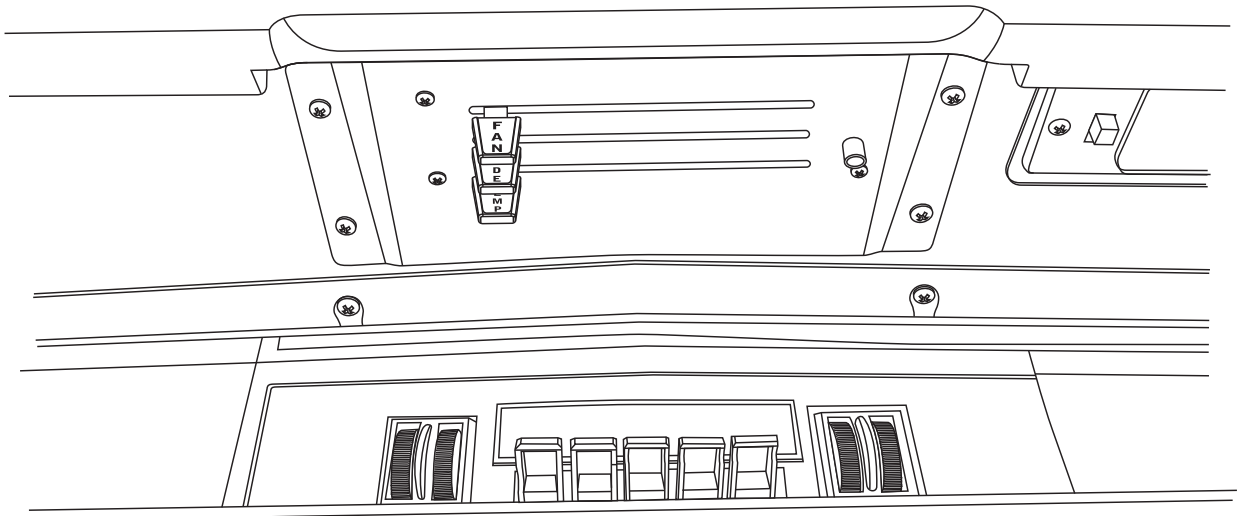




1969-70 Mopar B-Body

Control Panel Kit (474155)



18865 Goll St. San Antonio, TX 78266
Phone: 800-862-6658
Sales: sales@vintageair.com
Tech Support: tech@vintageair.com
www.vintageair.com



www.vintageair.com

Table of Contents

Cover.....	1
Table of Contents.....	2
Packing List/Parts Disclaimer.....	3
OEM Control Panel Removal (with Factory Air), OEM Control Panel Removal (without Factory Air)....	4
Control Panel Installation.....	5
Gen IV Wiring Diagram.....	6
Gen 5 Wiring Diagram.....	7
Operation of Controls.....	8
Packing List.....	9

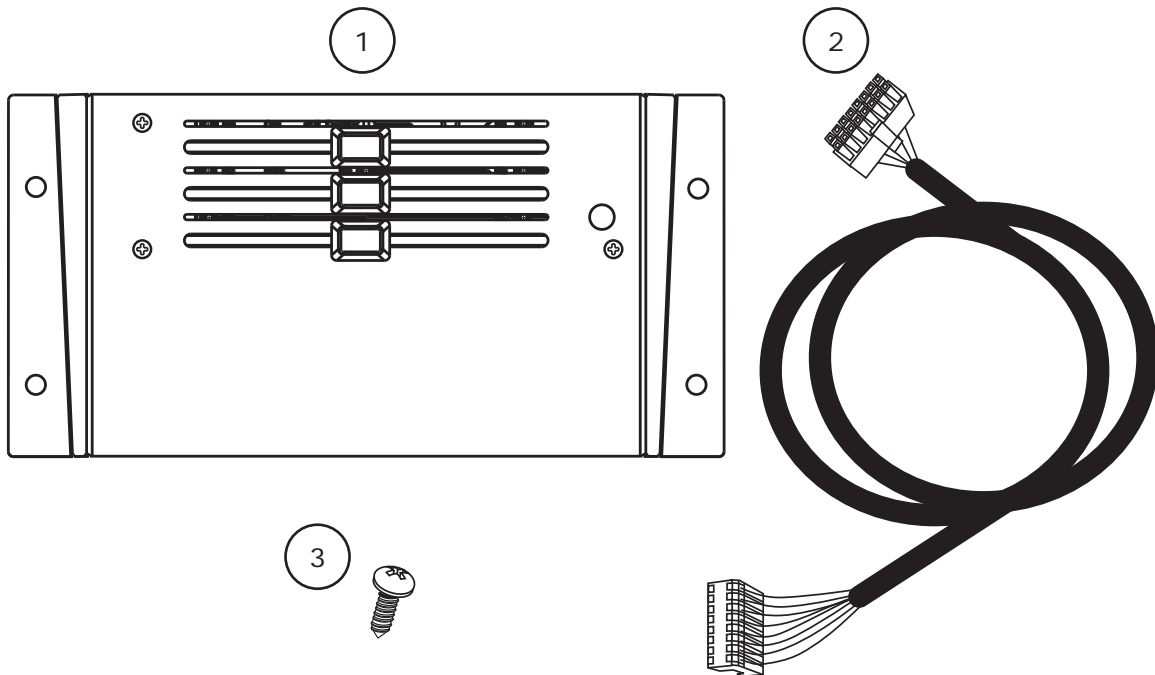


www.vintageair.com

Packing List: Control Panel Kit (474155)

No.	Qty.	Part No.	Description
1.	1	473050	Control Panel Assembly
2.	1	232007-VUR	Control Harness, Gen IV/Gen 5 Universal
3.	4	18235-VUB	Screw, #8 x 1/2", Pan Head

**** Before beginning installation, open all packages and check contents of shipment. Please report any shortages directly to Vintage Air within 15 days. After 15 days, Vintage Air will not be responsible for missing or damaged items.**



**NOTE: Images may not depict actual parts and quantities.
Refer to packing list for actual parts and quantities.**



www.vintageair.com

OEM Control Panel Removal (with Factory Air)

Perform the following:

1. Disconnect the cables, vacuum hoses and wires from the back side of the OEM controls (discard). **NOTE:** When using a Vintage Air supplied control panel, connect the 20 AWG tan wire from the Gen IV wiring harness (232010) or Gen 5 wiring harness (231505) to the factory dash lights to enable panel backlighting.
2. Remove the (4) OEM screws from the control panel (discard).
3. Remove the OEM control panel (discard).

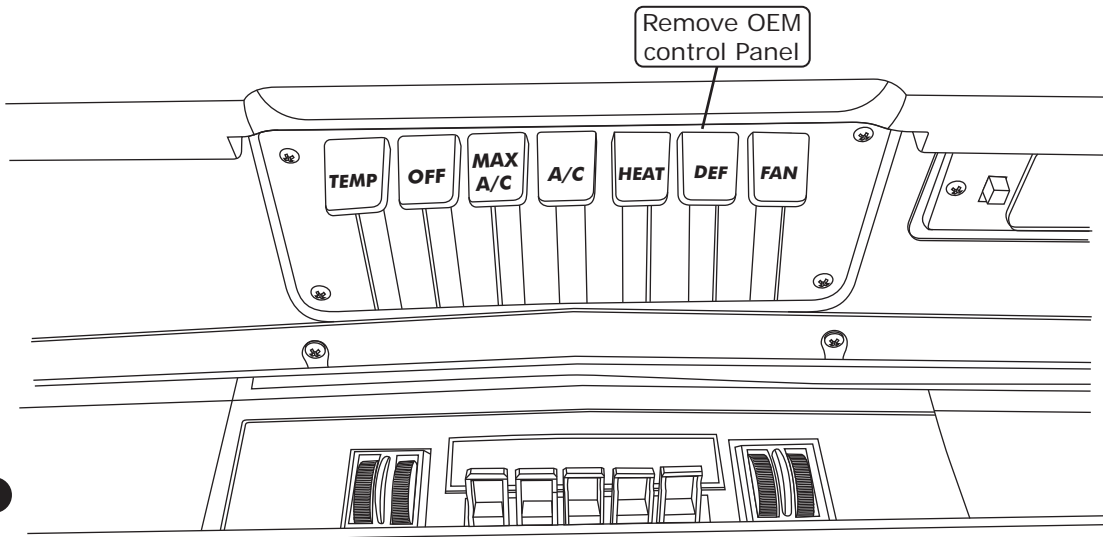


Figure 1

OEM Control Panel Removal (without Factory Air)

Perform the following:

1. Disconnect the cables and wires from the back side of the OEM controls (discard). **NOTE:** When using a Vintage Air supplied control panel, connect the 20 AWG tan wire from the Gen IV wiring harness (232010) or Gen 5 wiring harness (231505) to the factory dash lights to enable panel backlighting.
2. Remove the (4) OEM screws from the control panel (discard).
3. Remove the OEM control panel (discard).

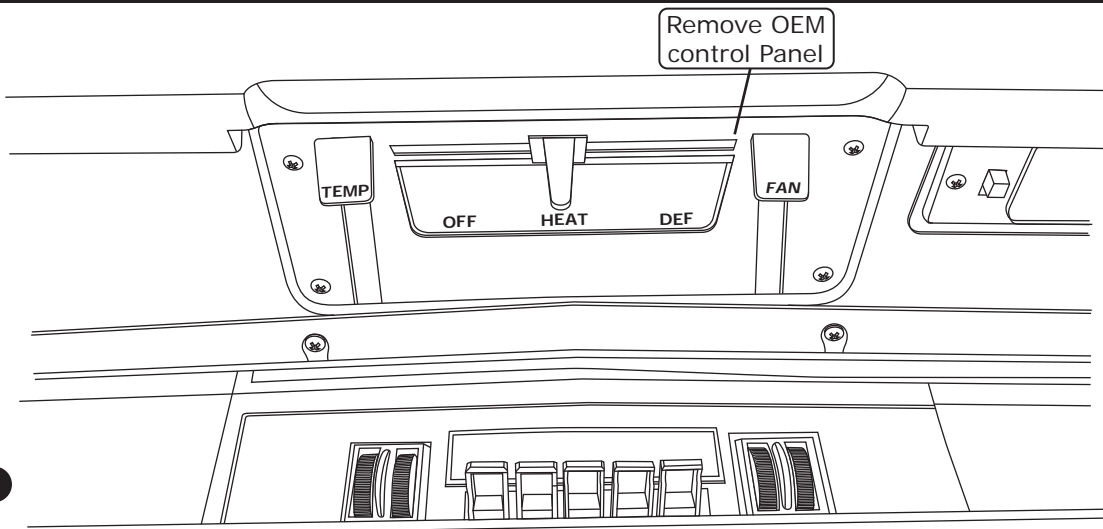


Figure 1



www.vintageair.com

Control Panel Installation

1. Feed the control panel harness through the dash and out the control panel opening. Plug the control panel harness into the ECU as shown in Figure 1, below. Plug the opposite end of the harness into the control panel PC board as shown in Figure 1, below.
2. Install the control panel assembly in the OEM mounting location, and secure it using (4) #8 x 1/2" pan head screws (See Figure 2, below). **NOTE: Take care not to scuff control panel face during installation.**

NOTE: When using a Vintage Air supplied control panel, connect the 20 AWG tan wire from the Gen IV wiring harness (232010) or Gen 5 wiring harness (231505) to the factory dash lights to enable panel backlighting.

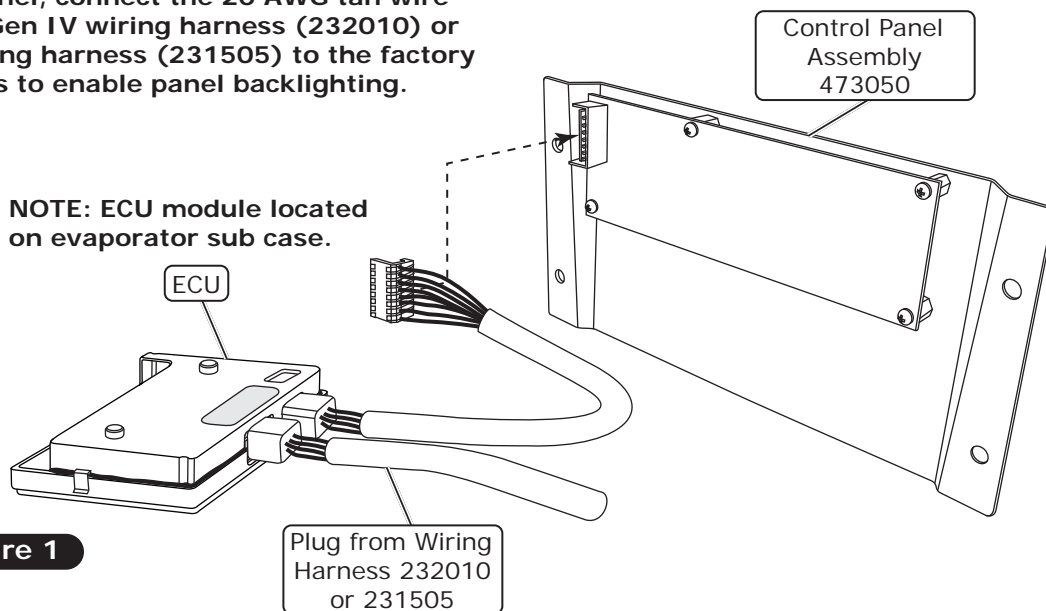


Figure 1

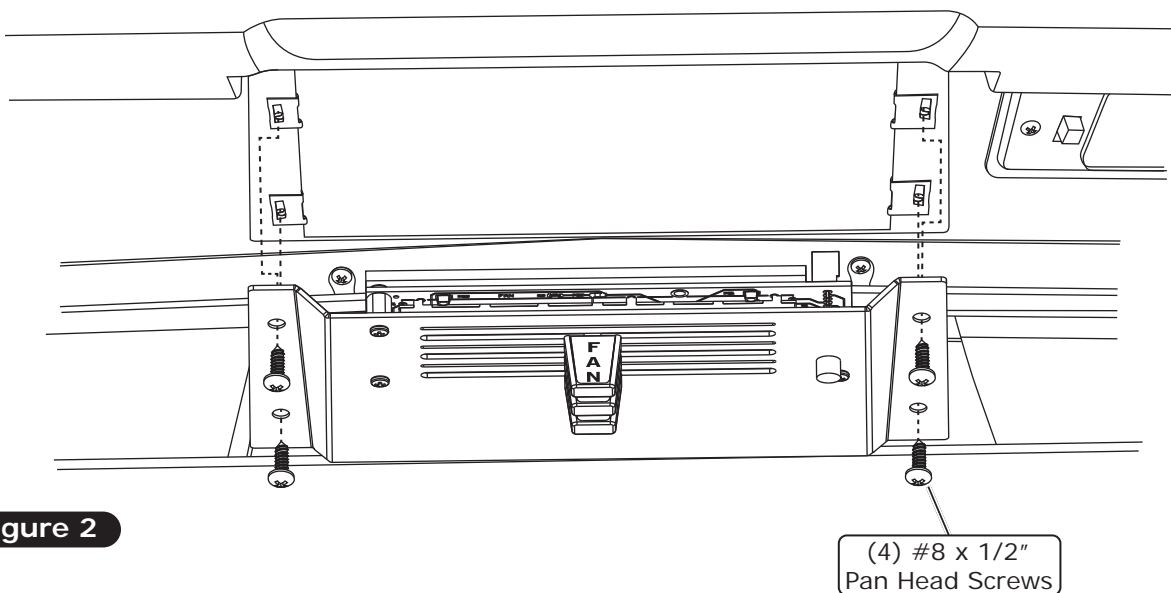


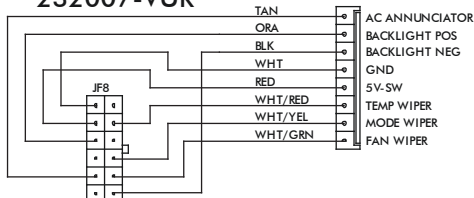
Figure 2



www.vintageair.com

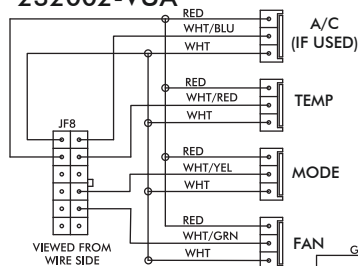
Gen IV Wiring Diagram

232007-VUR



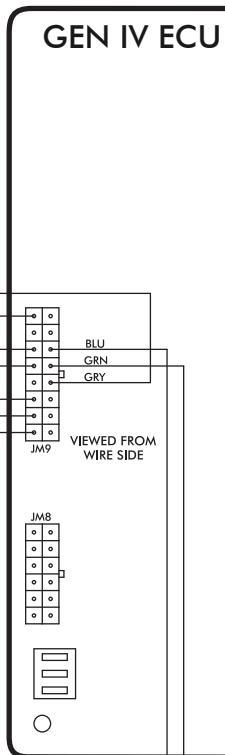
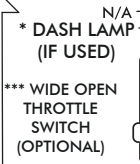
VIEWED FROM WIRE SIDE

232002-VUA

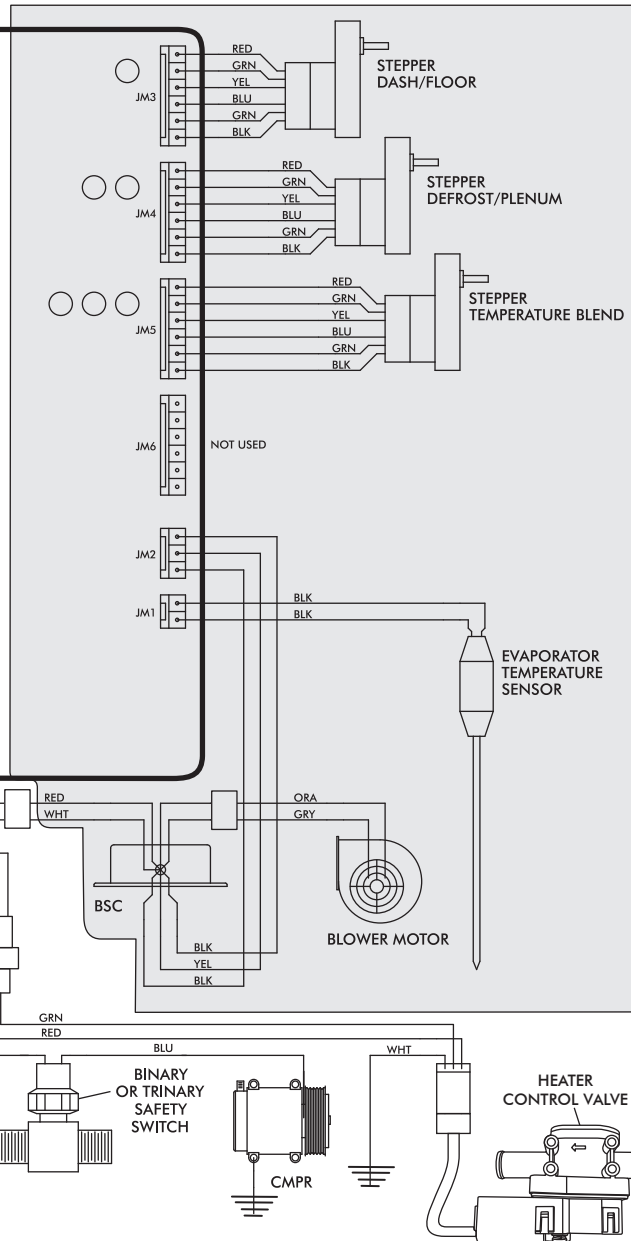


VIEWED FROM WIRE SIDE

PROGRAM



PRE-WIRED



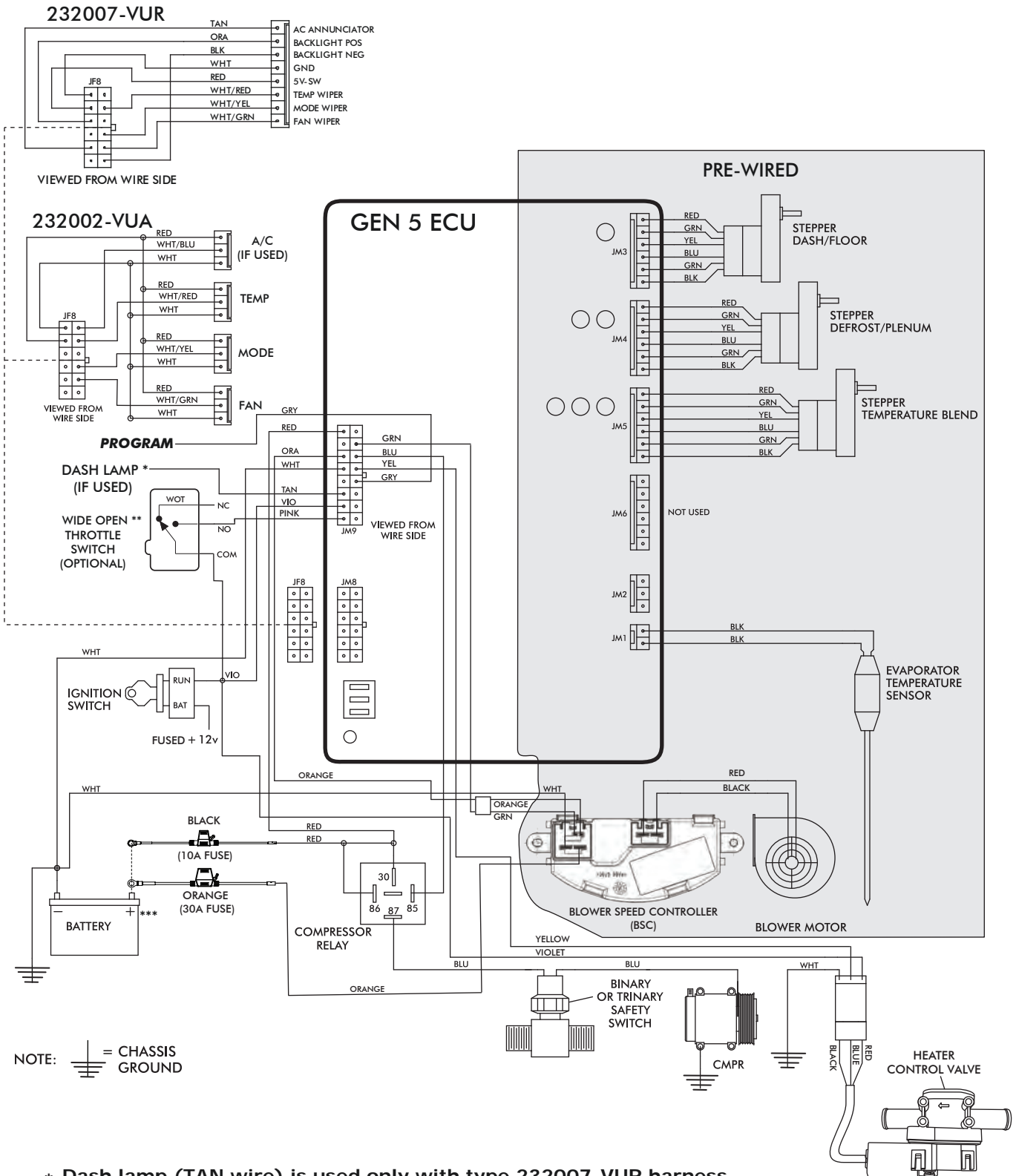
NOTE: = CHASSIS GROUND

- * Dash lamp is used only with type 232007-VUR harness.
- ** Warning: Always mount circuit breaker as close to the battery as possible. (NOTE: Wire between battery and circuit breaker is unprotected and should be carefully routed to avoid a short circuit).
- *** Wide open throttle switch contacts close only at full throttle, which disables A/C compressor.



www.vintageair.com

Gen 5 Wiring Diagram



- * Dash lamp (TAN wire) is used only with type 232007-VUR harness.
- ** Wide open throttle switch contacts close only at full throttle, which disables A/C compressor.
- *** Install fuse assemblies at or as near to the battery as possible.



www.vintageair.com

Operation of Controls

On Gen IV or Gen 5 systems with three lever/knob controls, the temperature control toggles between heat and A/C operations. To activate A/C, move the temperature lever/knob all the way to cold and then back it off to the desired vent temperature. For heat operation, move the temperature lever/knob all the way to hot and then adjust to the desired vent temperature. The blower will momentarily change speed, each time you toggle in and out of heat and A/C operations, to indicate the change.

Blower Speed

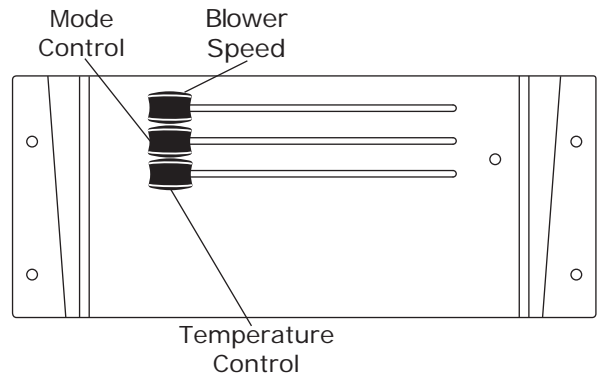
This lever/knob controls blower speed, from OFF to HI.

Mode Control

This lever/knob controls the mode positions, from DASH to FLOOR to DEFROST, with a blend in between.

Temperature Control

This lever/knob controls the temperature, from HOT to COLD.



A/C Operation

Blower Speed

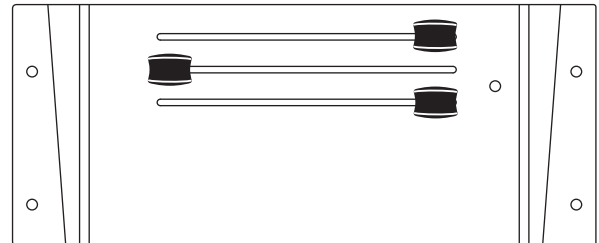
Adjust to desired speed.

Mode Control

Adjust to desired mode position (DASH position recommended).

Temperature Control

For A/C operation, adjust to coldest position to engage compressor (adjust between HOT and COLD to reach desired temperature).



Heat Operation

Blower Speed

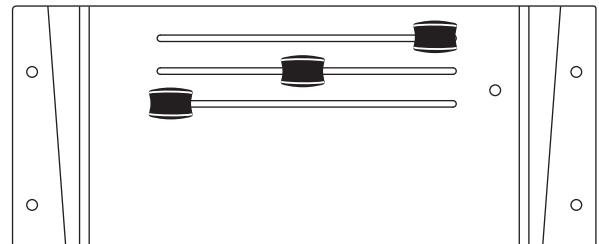
Adjust to desired speed.

Mode Control

Adjust to desired mode position (FLOOR position recommended).

Temperature Control

For maximum heating, adjust to hottest position (adjust between HOT and COLD to reach desired temperature).



Defrost/De-fog Operation

Blower Speed

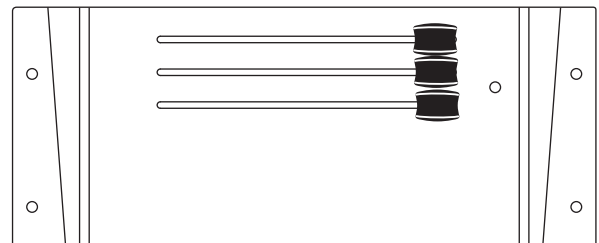
Adjust to desired speed.

Temperature Control

Adjust to desired temperature.

Mode Control

Adjust to DEFROST position for maximum defrost, or between FLOOR and DEFROST positions for a bi-level blend (Compressor is automatically engaged).



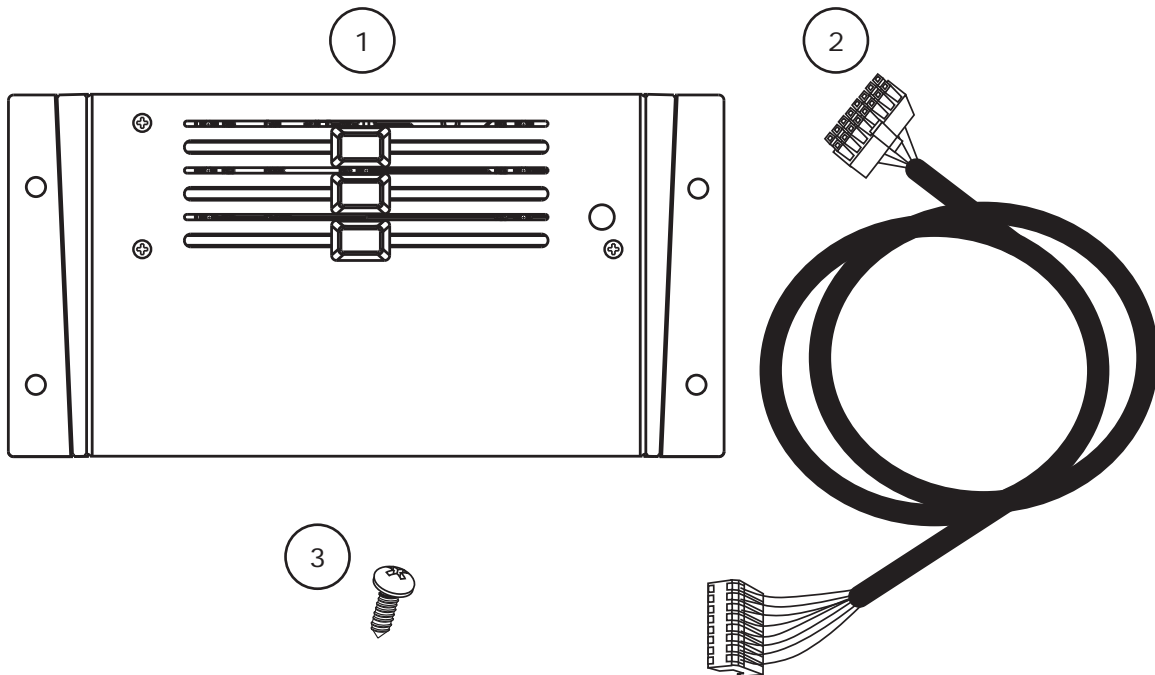


www.vintageair.com

Packing List: Control Panel Kit (474155)

No.	Qty.	Part No.	Description
1.	1	473050	Control Panel Assembly
2.	1	232007-VUR	Control Harness, Gen IV/Gen 5 Universal
3.	4	18235-VUB	Screw, #8 x 1/2", Pan Head

Checked By: _____
Packed By: _____
Date: _____



NOTE: Images may not depict actual parts and quantities.
Refer to packing list for actual parts and quantities.