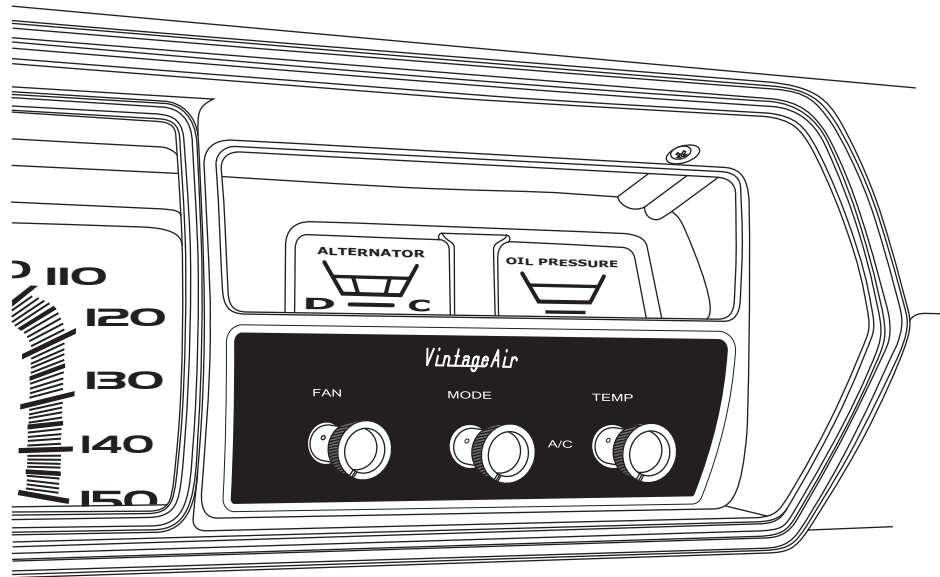




an ISO 9001:2015 Registered Company

1966-67 Plymouth Belvedere, Satellite, GTX

Control Panel Kit
474153



18865 Goll St. San Antonio, TX 78266
Phone: 800-862-6658
Sales: sales@vintageair.com
Tech Support: tech@vintageair.com
www.vintageair.com



www.vintageair.com

Table of Contents

Cover.....	1
Table of Contents.....	2
Packing List/Parts Disclaimer.....	3
OEM Control Panel Removal.....	4
Control Panel Installation.....	5
Wiring Diagram.....	6
Operation of Controls.....	7
Packing List.....	8

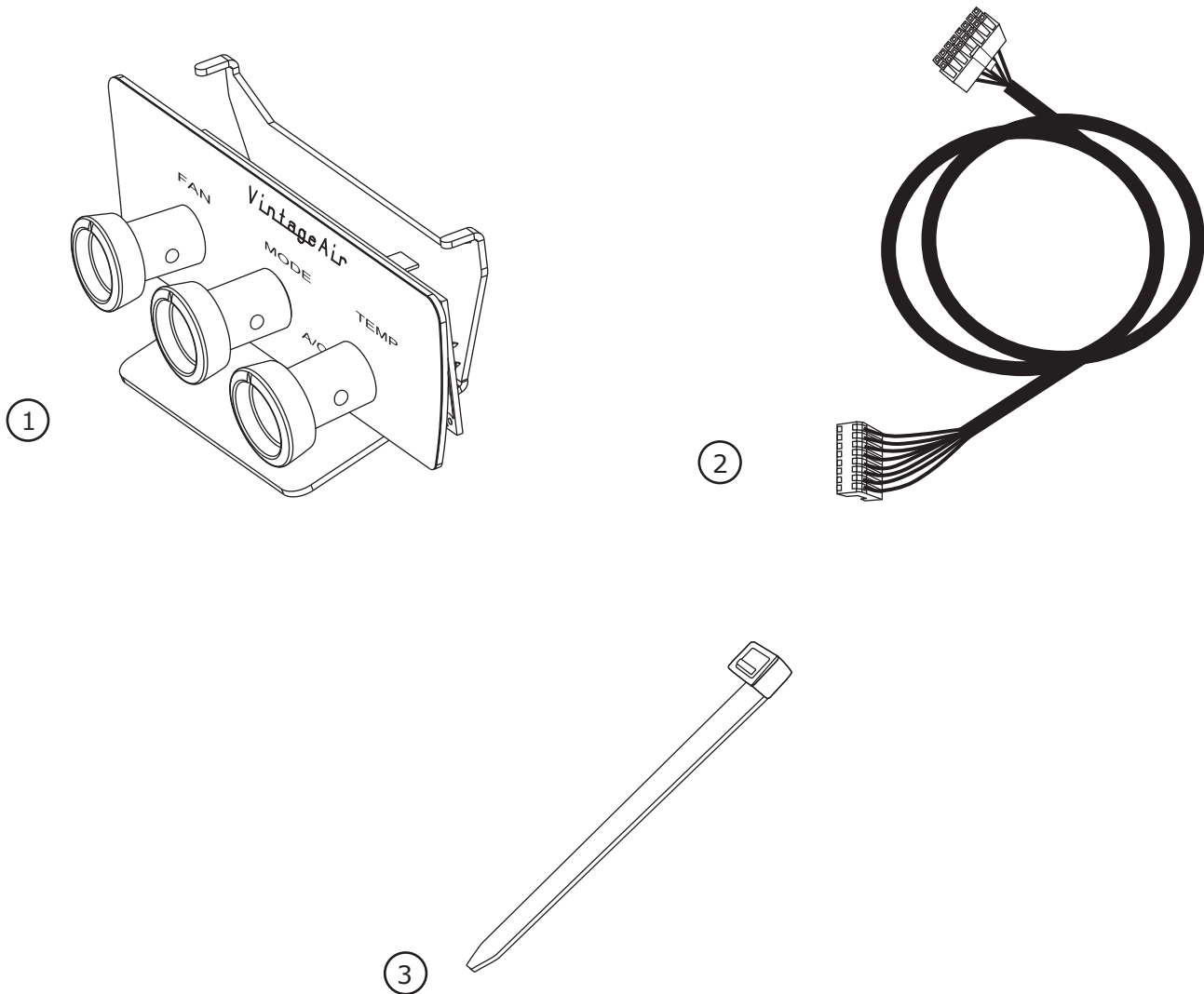


www.vintageair.com

Packing List: Control Panel Kit (474153)

No.	Qty.	Part No.	Description
1.	1	473051	Control Panel Assembly
2.	1	232007-VUR	Control Harness, Gen IV Universal
3.	1	21301-VUP	Tie Wrap, 4"

**** Before beginning installation, open all packages and check contents of shipment. Please report any shortages directly to Vintage Air within 15 days. After 15 days, Vintage Air will not be responsible for missing or damaged items.**



**NOTE: Images may not depict actual parts and quantities.
Refer to packing list for actual parts and quantities.**



www.vintageair.com

OEM Control Panel Removal (with Factory Air)

Perform the Following:

1. Disconnect cables, and wires from the back side of the OEM controls (discard). **NOTE: When using a Vintage Air supplied control panel, connect the tan wire from the Gen IV Evaporator wiring harness (232600-VUA) to the factory dash lights to enable panel backlighting.**
2. Remove (2) OEM screws from the control panel (discard).
3. Remove the OEM control panel (discard).

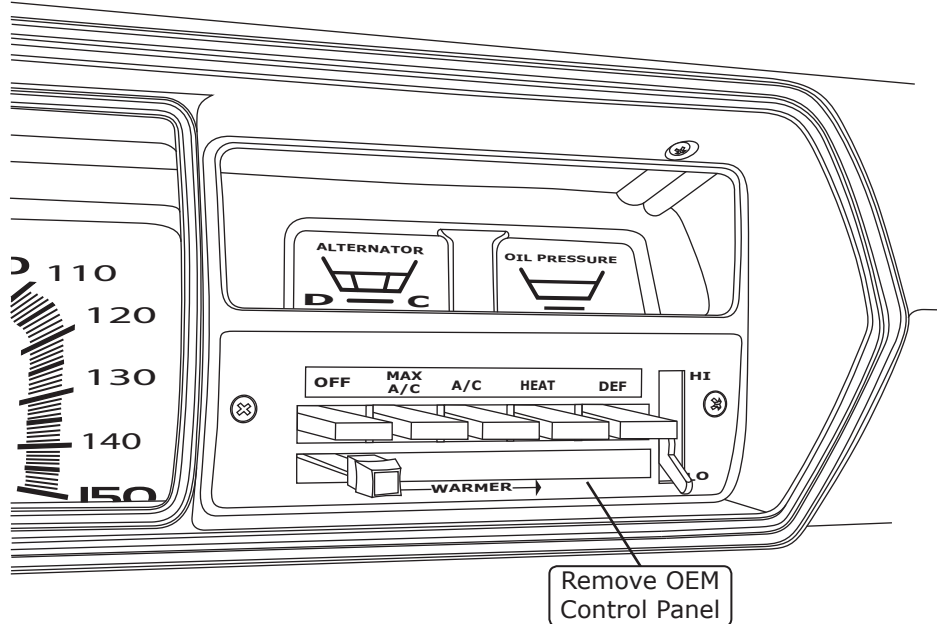


Figure 1

OEM Control Panel Removal (without Factory Air)

Perform the Following:

1. Disconnect cables and wires from the back side of the OEM controls (discard). **NOTE: When using a Vintage Air supplied control panel, connect the tan wire from the Gen IV Evaporator wiring harness (232600-VUA) to the factory dash lights to enable panel backlighting.**
2. Remove (2) OEM screws from the control panel (discard).
3. Remove the OEM control panel (discard).

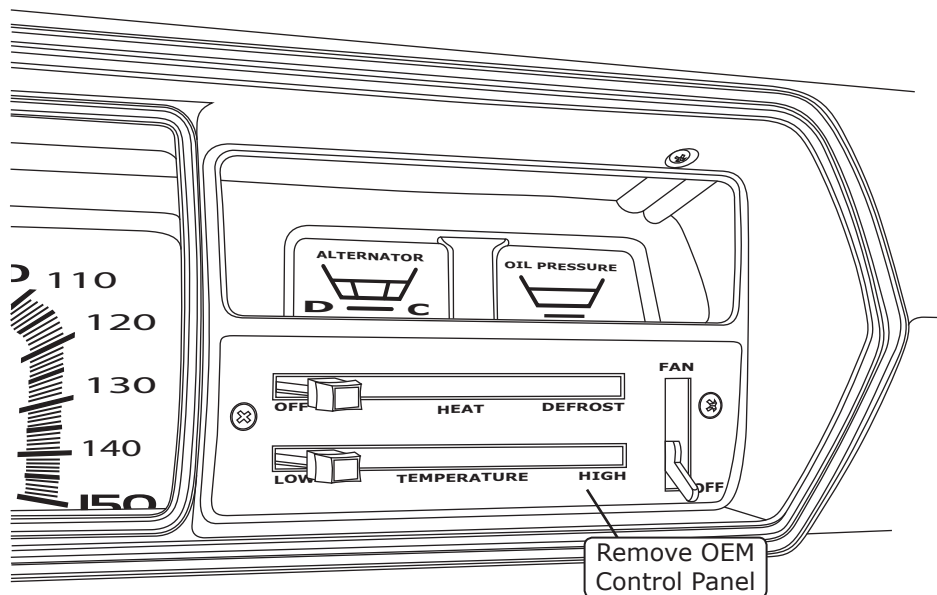


Figure 2



www.vintageair.com

Control Panel Installation

1. Tie wrap the control panel harness to the control panel rear bracket, keeping the control panel connector 12" from the tie wrap (See Figure 3, below).
2. Locate the (2) vacant threaded holes in the dash casting, set back along the top edge of the control panel opening. Place the control panel rear bracket behind the dash, and insert the fingers of the rear bracket into the threaded dash holes. Holding the bracket in this position, feed the control panel connector out through the control panel opening in the dash, and plug the connector into the PC board on the back side of the control panel as shown in Figure 3, below.
3. Feed the control panel harness slack back through the dash opening. With a 5/32" Allen wrench driver bit, hand tighten the supplied bolt and washer to secure the rear bracket to the control panel (See Figures 3 & 4, below).
4. Plug the opposite end of the control panel harness into the ECU as shown in Figure 3, below.

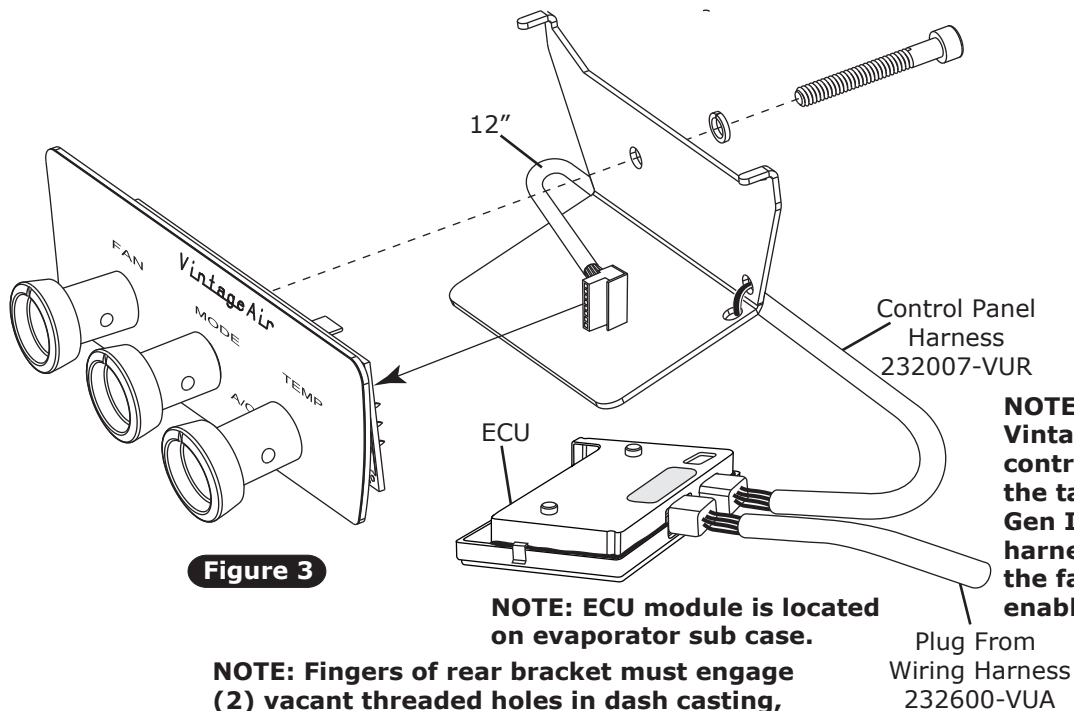


Figure 3

NOTE: Fingers of rear bracket must engage (2) vacant threaded holes in dash casting, set back along the top edge of the control panel opening in the dash.

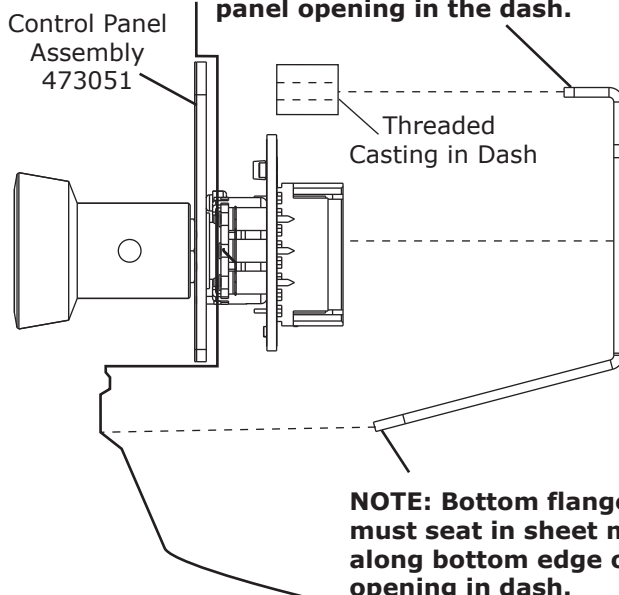


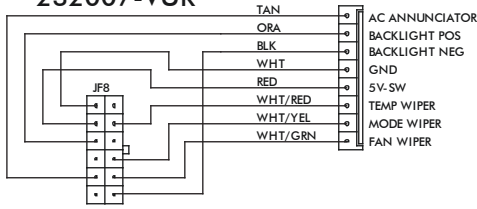
Figure 4



www.vintageair.com

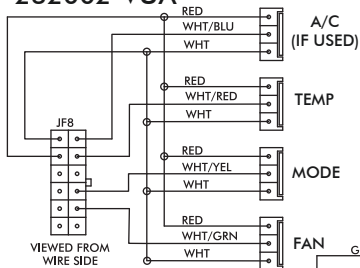
Wiring Diagram

232007-VUR



VIEWED FROM WIRE SIDE

232002-VUA



VIEWED FROM WIRE SIDE

PROGRAM

N/A

* DASH LAMP (IF USED)

*** WIDE OPEN THROTTLE SWITCH (OPTIONAL)

NC

NO

COM

WHT

RUN

BAT

+ 12v

IGNITION SWITCH

WHT

RED

RED

RED

RED

RED

RED

RED

RED

RED

RED

RED

RED

RED

RED

RED

RED

RED

RED

RED

RED

RED

RED

RED

RED

RED

RED

RED

RED

RED

RED

RED

RED

RED

RED

RED

RED

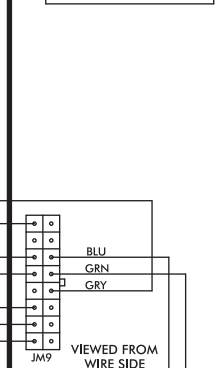
RED

RED

RED

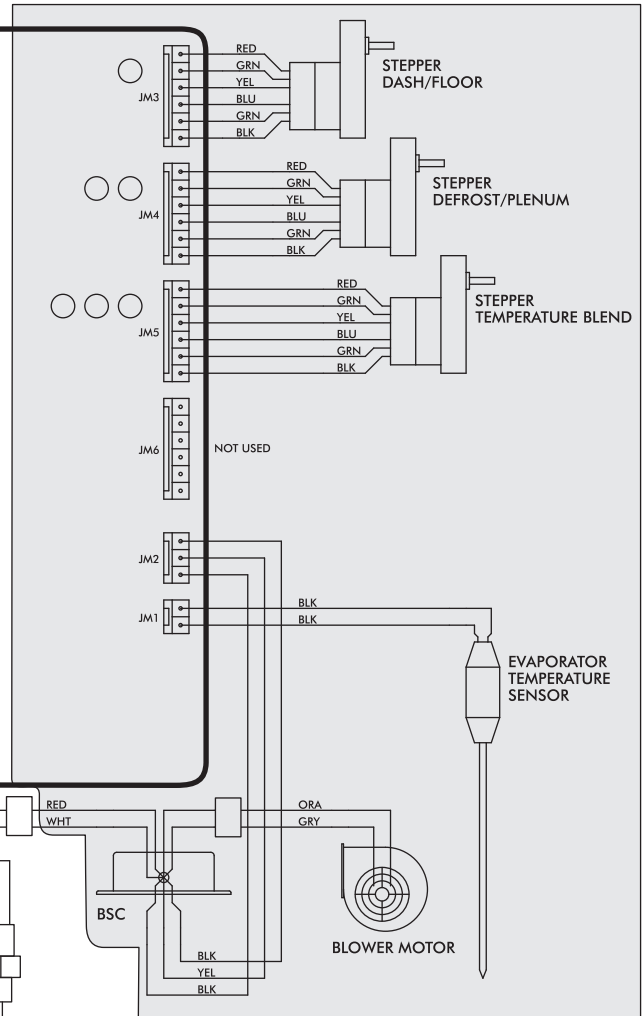
GEN IV ECU

GEN IV WIRING DIAGRAM
REV E, 10/6/2017



VIEWED FROM WIRE SIDE

PRE-WIRED



NOTE: = CHASSIS GROUND

* Dash lamp is used only with type 232007-VUR harness.

** Warning: Always mount circuit breaker as close to the battery as possible. (NOTE: Wire between battery and circuit breaker is unprotected and should be carefully routed to avoid a short circuit).

*** Wide open throttle switch contacts close only at full throttle, which disables A/C compressor.



www.vintageair.com

Operation of Controls

On Gen IV systems with three lever/knob controls, the temperature control toggles between heat and A/C operations. To activate A/C, move the temperature lever/knob all the way to cold and then back it off to the desired vent temperature. For heat operation, move the temperature lever/knob all the way to hot and then adjust to the desired vent temperature. The blower will momentarily change speed, each time you toggle between operations, to indicate the change.

Blower Speed

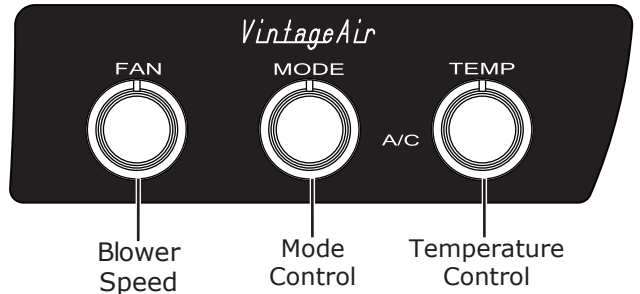
This lever/knob controls blower speed, from OFF to HI.

Mode Control

This lever/knob controls the mode positions, from DASH to FLOOR to DEFROST, with a blend in between.

Temperature Control

This lever/knob controls the temperature, from HOT to COLD.



A/C Operation

Blower Speed

Adjust to desired speed.

Mode Control

Adjust to desired mode position (DASH position recommended).

Temperature Control

For A/C operation, adjust to coldest position to engage compressor (Adjust between HOT and COLD to reach desired temperature).



Heat Operation

Blower Speed

Adjust to desired speed.

Mode Control

Adjust to desired mode position (FLOOR position recommended).

Temperature Control

For maximum heating, adjust to hottest position (Adjust between HOT and COLD to reach desired temperature).



Defrost/De-fog Operation

Blower Speed

Adjust to desired speed.

Temperature Control

Adjust to desired temperature.

Mode Control

Adjust to DEFROST position for maximum defrost, or between FLOOR and DEFROST positions for a bi-level blend (Compressor is automatically engaged).



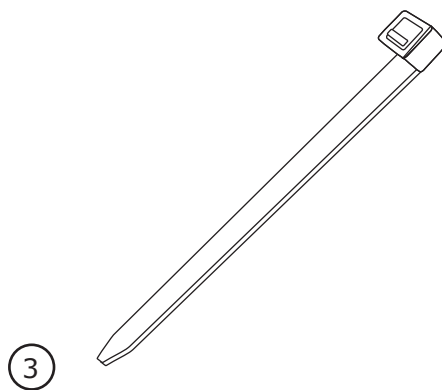
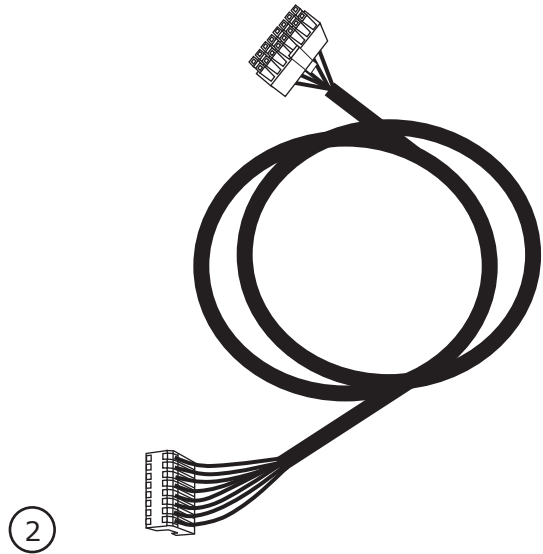
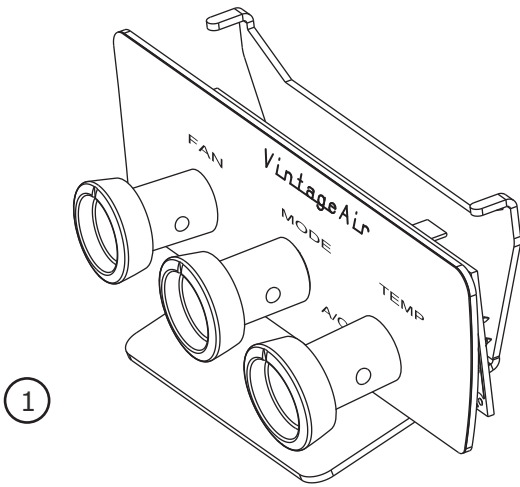


www.vintageair.com

Packing List: Control Panel Kit (474153)

No.	Qty.	Part No.	Description
1.	1	473051	Control Panel Assembly
2.	1	232007-VUR	Control Harness, Gen IV Universal
3.	1	21301-VUP	Tie Wrap, 4"

Checked By: _____
 Packed By: _____
 Date: _____



**NOTE: Images may not depict actual parts and quantities.
 Refer to packing list for actual parts and quantities.**