

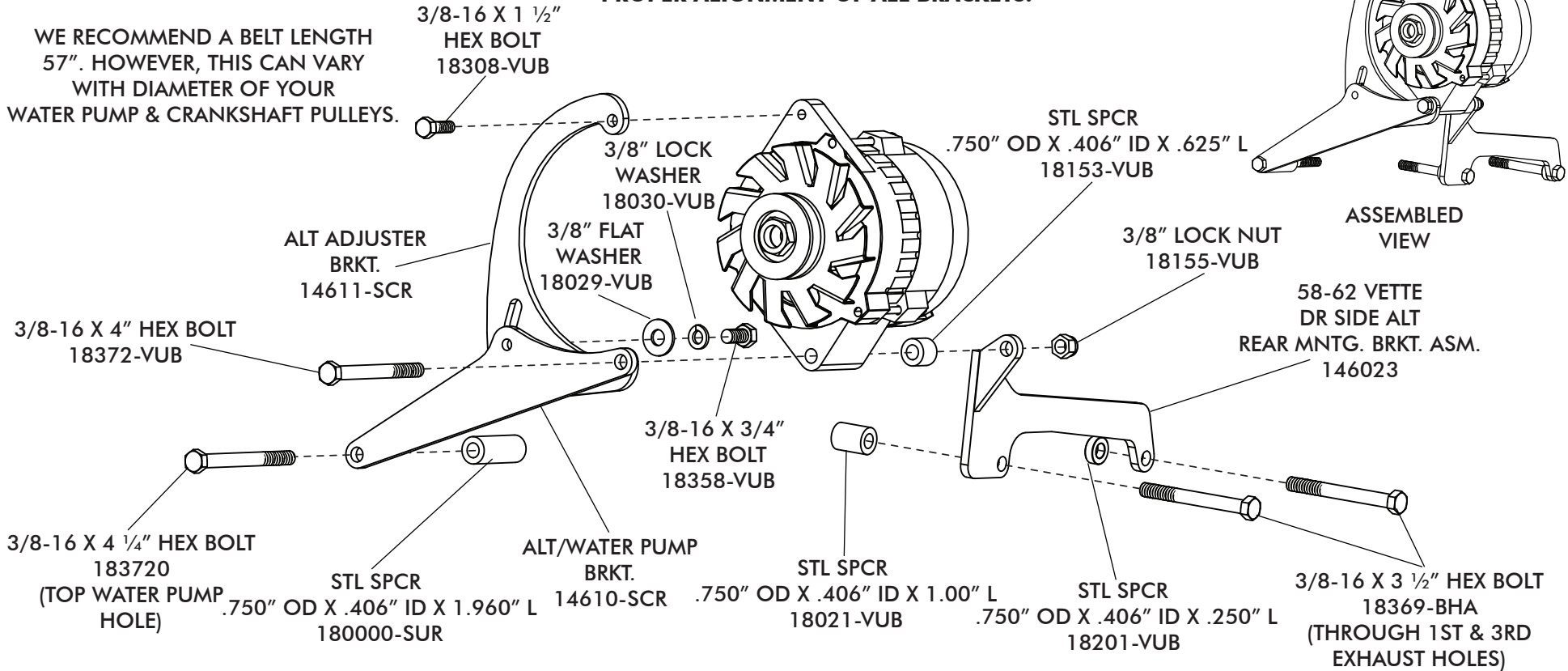


1958-62 CORVETTE DRIVER SIDE ALTERNATOR BRACKET 158201

158201

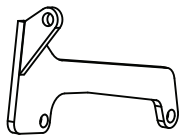
NOTE: ASSEMBLE ALL BRACKETS LOOSELY TO ENGINE BEFORE TIGHTENING BOLTS, THIS WILL ENSURE PROPER ALIGNMENT OF ALL BRACKETS.

WE RECOMMEND A BELT LENGTH 57". HOWEVER, THIS CAN VARY WITH DIAMETER OF YOUR WATER PUMP & CRANKSHAFT PULLEYS.

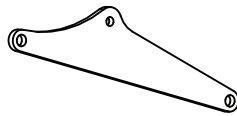


No.	QTY.	PART No.	DESCRIPTION
1.	1	146023	58-62 VETTE DR SIDE ALT REAR MNTG. BRKT. ASM.
2.	1	14610-SCR	ALT/WATER PUMP BRKT.
3.	1	14611-SCR	ALT ADJUSTER BRKT.
4.	1	191025	HARDWARE KIT

1



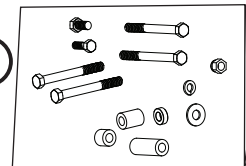
2



3



4



CHECKED BY: _____
 PACKED BY: _____
 DATE: _____