

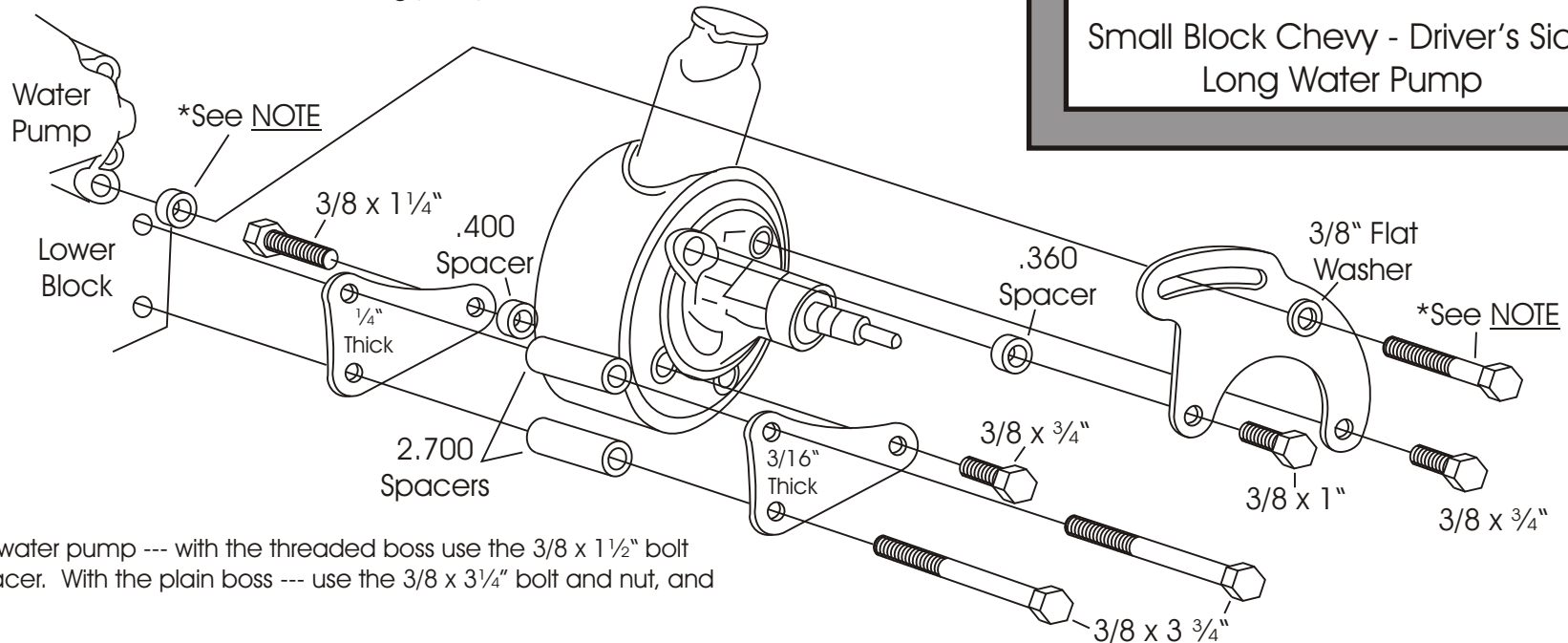
Vintage Air Part # 15816-VCB



This bracket is designed to be used with the non-metric Chevrolet pump with attached reservoir. There are a large number of pumps available from 1961 to 1981 that will work well with our power steering bracket. For more detailed information see the enclosed power steering pump sheet.

POWER STEERING PUMP MOUNT 402L

Small Block Chevy - Driver's Side
Long Water Pump



NOTE: At the water pump --- with the threaded boss use the 3/8 x 1 1/2" bolt and .670 spacer. With the plain boss --- use the 3/8 x 3/4" bolt and nut, and .450 spacer.

If your pump has a stud at the lower rear pivot point, remove it and use the 1/4" bolt and .400 spacer.

We use a belt length of 36 1/2" - 37 1/2" with this mount on installations in our shop. If using this mount with our part numbers: 137L, 220L, 230L or 234L it will require a shorter belt length of 36-37" to clear the spacer and bolt at the head. Shorter belts may be installed by:

1. Leaving mounting bolts of 402L lightly loose while installing the belt.
2. Loop belt over crankshaft pulley first with belt nearly touching harmonic balancer.
3. Install the belt in the inner groove of the two groove Power Steering Pump pulley, then roll the belt into the inner groove of the crankshaft pulley.

If the motor is to be equipped with A.C., The P.S. Pump should use a double groove pulley and the crankshaft a triple groove pulley. This will allow the use of a belt on the inner grooves of both the crankshaft and the power steering pump.

As with any part of this nature, make sure it fits your application before painting or plating. Parts that have been painted, plated, or modified may not be returned.

POWER STEERING
PUMP MOUNT
402L

Small Block Chevy - Driver's Side
Long Water Pump

ALAN GROVE COMPONENTS, INC.
27070 METCALF ROAD
LOUISBURG, KS 66053