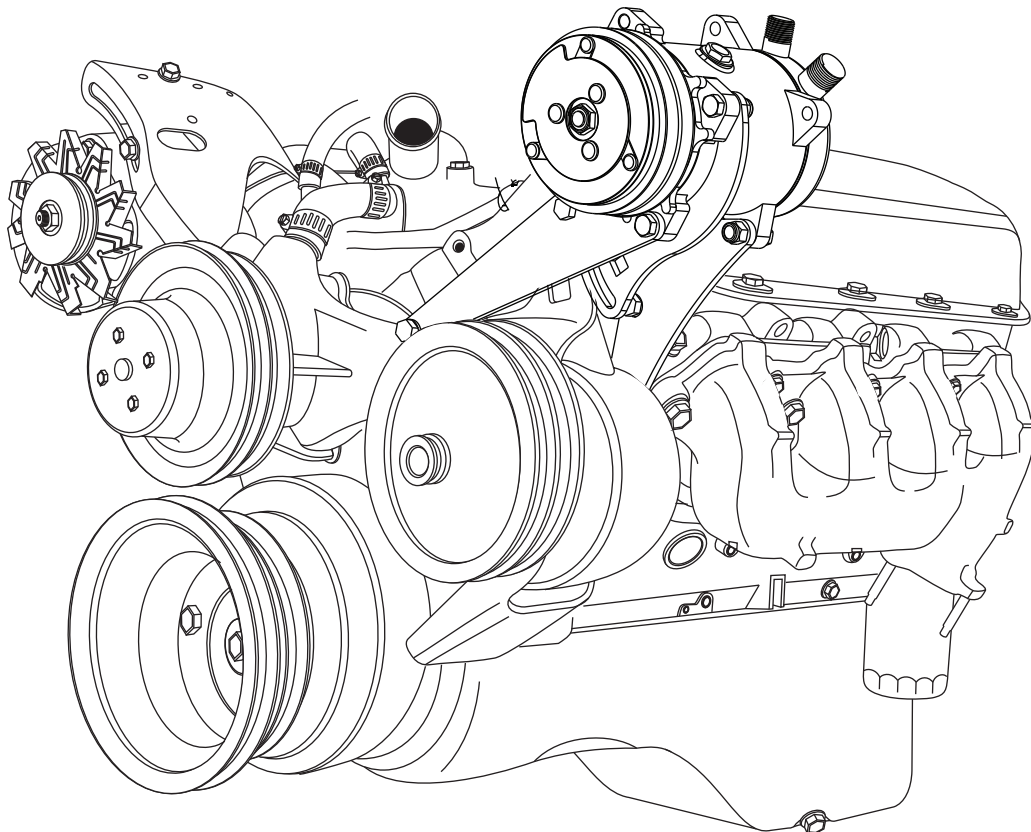




Big Block Chevrolet

Driver Side Compressor Bracket Kit
Long Pump *with & without* Power Steering
(151370-BCA)



18865 Goll St. San Antonio, TX 78266
Phone: 800-862-6658
Sales: sales@vintageair.com
Tech Support: tech@vintageair.com
www.vintageair.com



www.vintageair.com

Table of Contents

Cover..... 1

Table of Contents..... 2

Packing List/Parts Disclaimer..... 3

Compressor Bracket Installation..... 4

Compressor Bracket Installation (Cont.)..... 5

Compressor Installation..... 6

Important Compressor Information..... 7

Belt Routing & Radiator Hose Replacement..... 8

Packing List..... 9

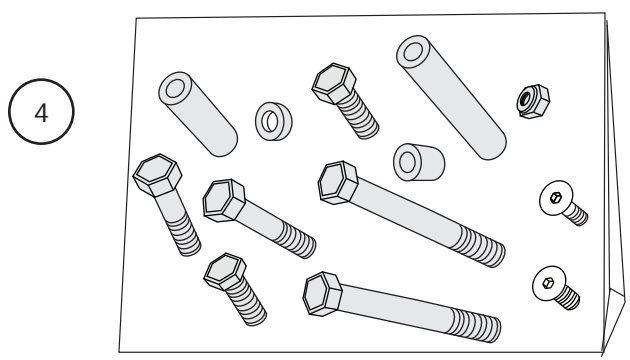
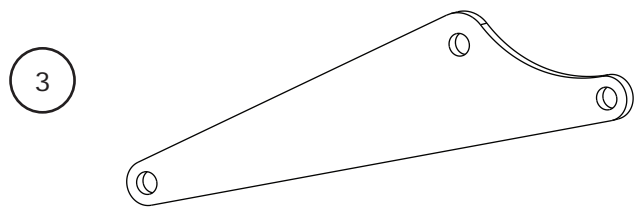
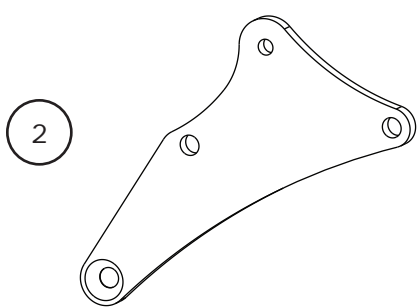
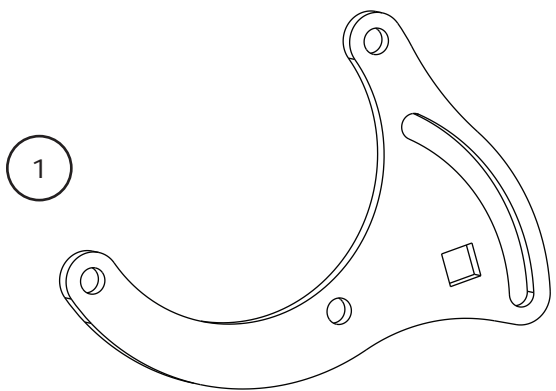


www.vintageair.com

Packing List: Compressor Bracket Kit (151370-BCA)

No.	Qty.	Part No.	Description
1.	1	146006-SCR	Bracket, Compressor Mounting
2.	1	156136	Bracket, Rear Compressor
3.	1	156138-BCR	Bracket, Front Compressor
4.	1	191137-HCA	Hardware Kit

**** Before beginning installation, open all packages and check contents of shipment. Please report any shortages directly to Vintage Air within 15 days. After 15 days, Vintage Air will not be responsible for missing or damaged items.**



NOTE: Images may not depict actual parts and quantities. Refer to packing list for actual parts and quantities.

Compressor Bracket Installation

NOTE: Stainless steel fasteners, including the ones supplied with this kit, are prone to galling. Vintage Air recommends applying anti-seize compound to all stainless steel threads prior to installation.

1. If equipped, remove the OEM A/C compressor and bracket (discard).
2. If equipped, remove the power steering pump assembly. **NOTE: Power steering pump mounting bracket removal is optional.**
3. Install the rear compressor bracket as shown in Figure 1, below. Place (2) .250" L steel spacers between the bracket and the cylinder head, and secure the bracket by installing a 3/8-16 x 1" hex bolt into the upper mounting hole on the head and a 3/8-16 x 1" flat socket cap screw into the lower mounting hole on the head. **NOTE: Some Big Block Chevrolet heads have 3/8" bolt holes, while others have 7/16" bolt holes. This kit includes both sizes of bolts and flat socket cap screws. For heads with 7/16" bolt holes, it will be necessary to enlarge the corresponding holes on the rear compressor bracket to 7/16" to allow installation of the 7/16-14 x 1" hex bolt and 7/16-14 x 1" flat socket cap screw.**

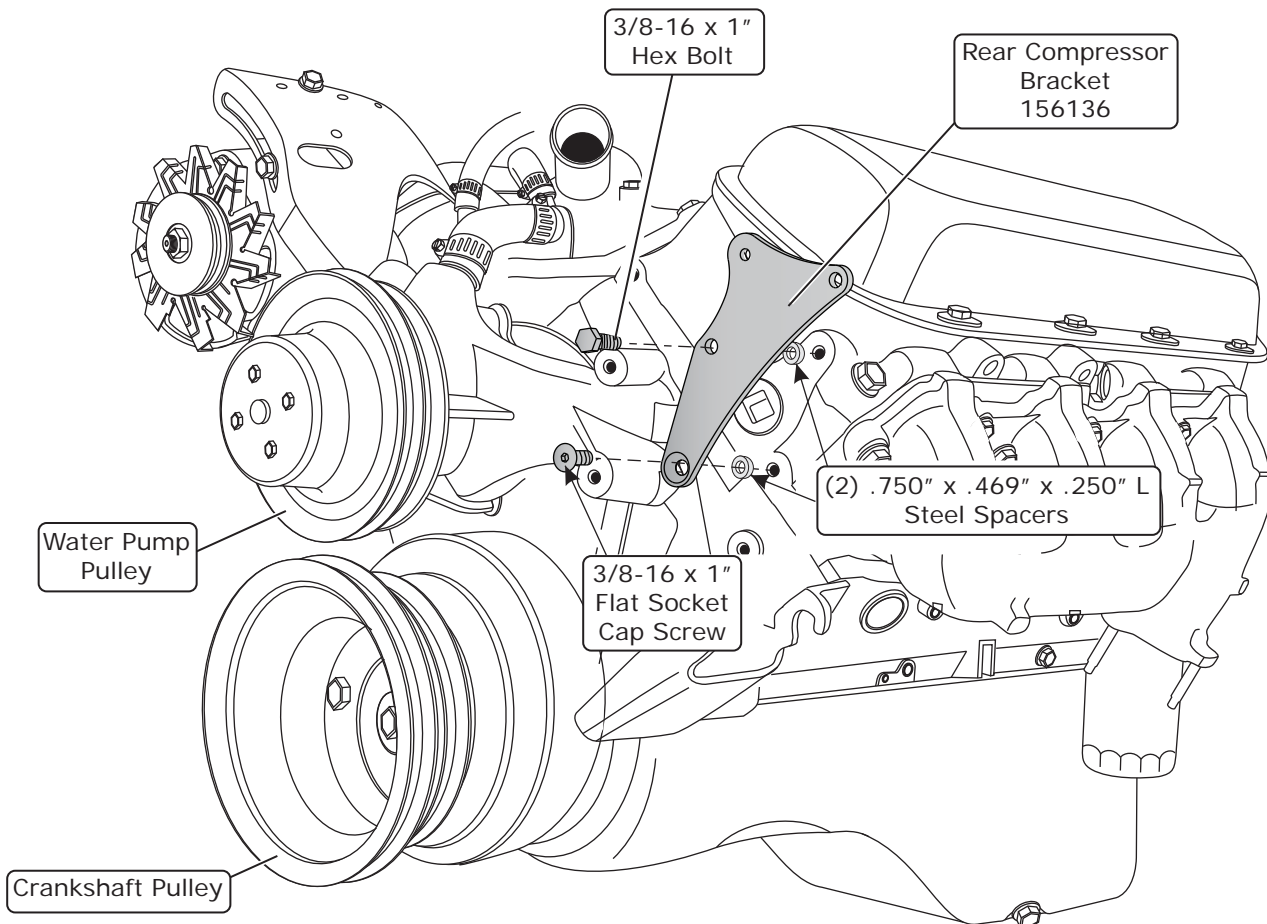


Figure 1

NOTE: Before tightening bolts, assemble all brackets loosely to engine. This will ensure proper alignment of all brackets.

Compressor Bracket Installation (Cont.)

www.vintageair.com

1. Install the front compressor bracket as shown in Figure 2, below. Place a 2.500" L spacer between the bracket and the water pump, and secure the bracket by installing a 3/8-16 x 5" hex bolt into the top mounting hole on the water pump.
2. Install the compressor mounting bracket as shown in Figure 2, below. Secure the bracket by installing a 3/8-16 x 4 1/2" hex bolt through the front compressor bracket, through the .563" L spacer, through the adjustment slot on the compressor mounting bracket, through the 2.770" L spacer, and into the rear compressor bracket.

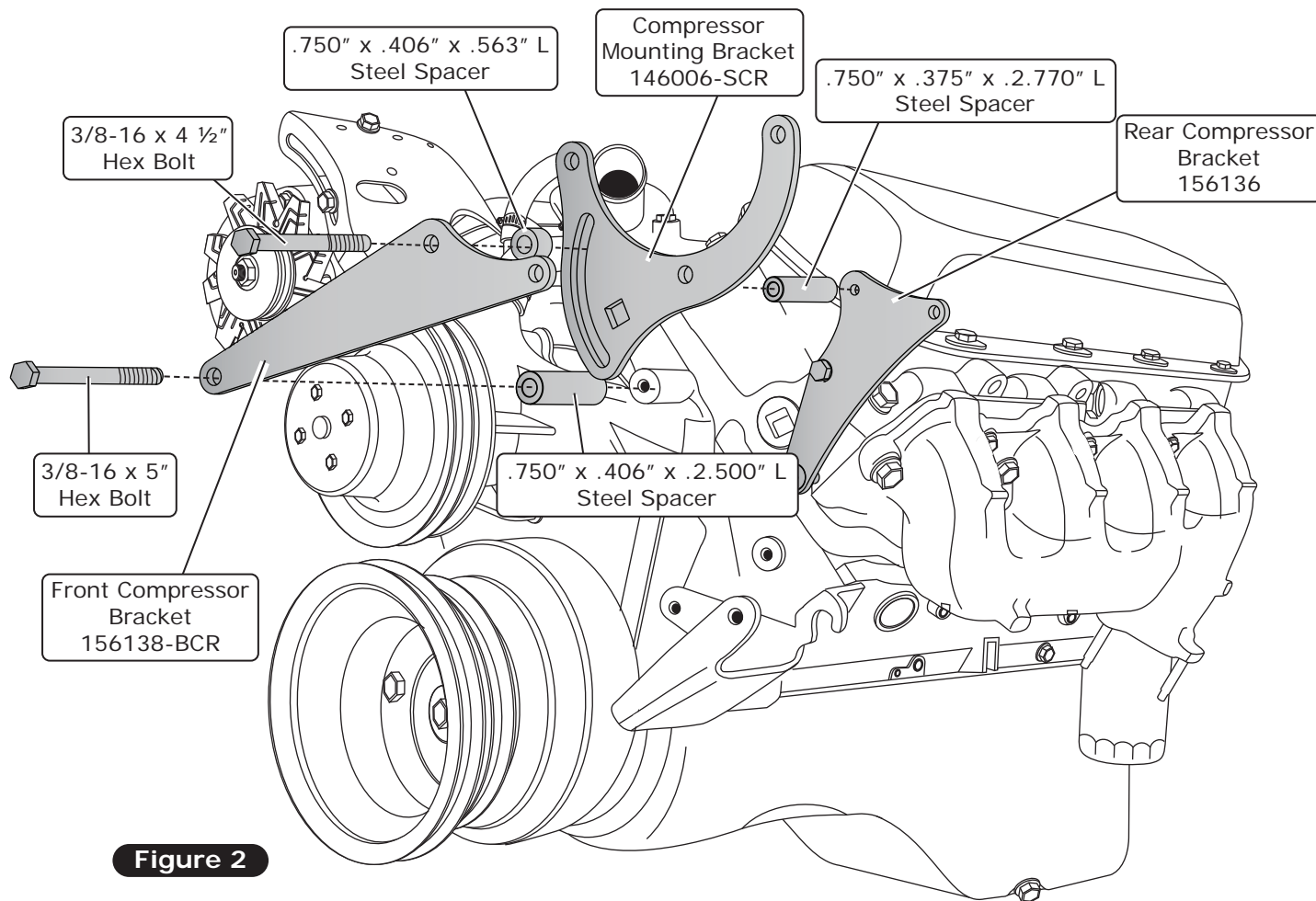


Figure 2

Compressor Installation

1. Install the compressor as shown in Figure 3, below. Mount the compressor to the bracket assembly using a 3/8-16 x 1 1/2" hex bolt, (3) 3/8-16 x 1 1/4" hex bolts, and (4) 3/8-16 locknuts. Install the 1 1/2" bolt through the front compressor bracket, through the compressor, and then through the compressor mounting bracket. Install (1) of the 1 1/4" bolts through the compressor and then through the rear compressor bracket. Install (2) of the 1 1/4" bolts through the compressor and then through the compressor mounting bracket. Use the (4) locknuts to secure the bolts.

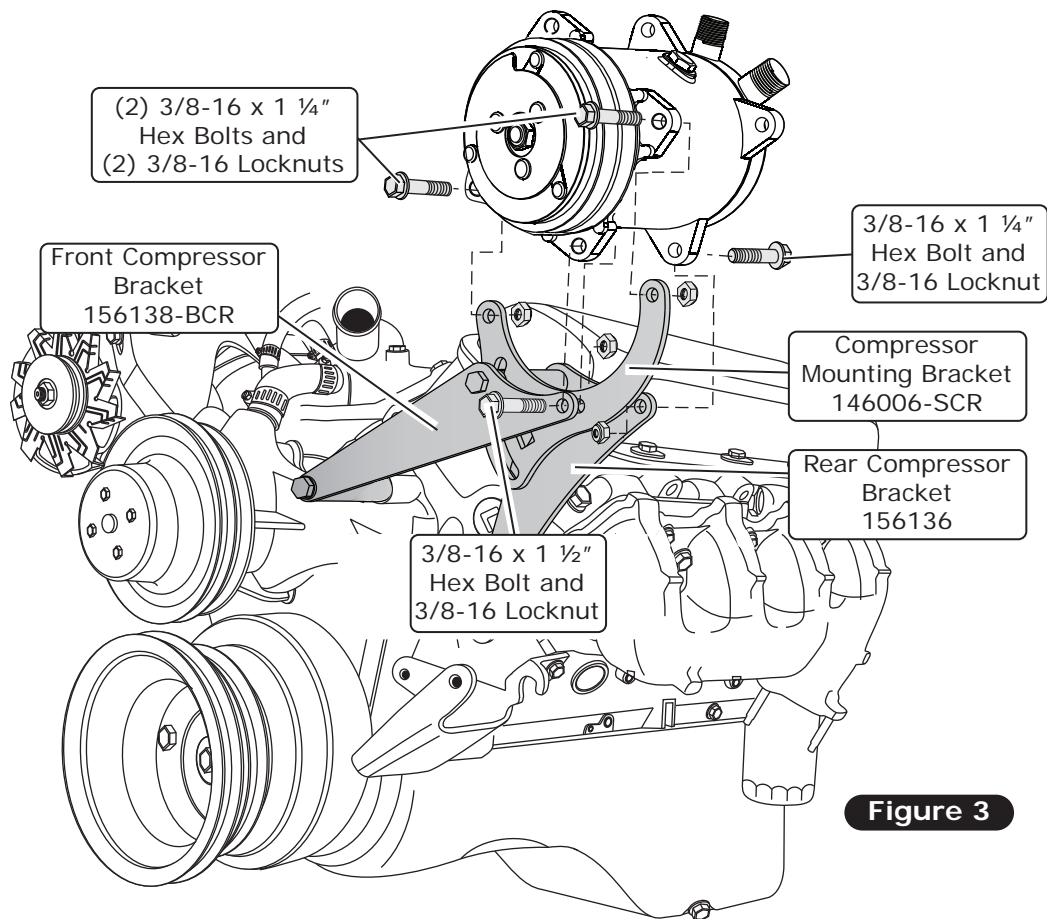


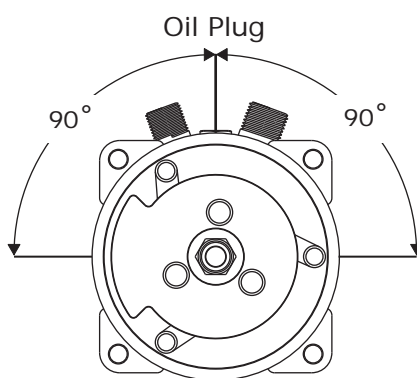
Figure 3

Important Compressor Information

Sanden 508 Style Compressors

NOTE: Failure to follow these procedures may void all warranties.

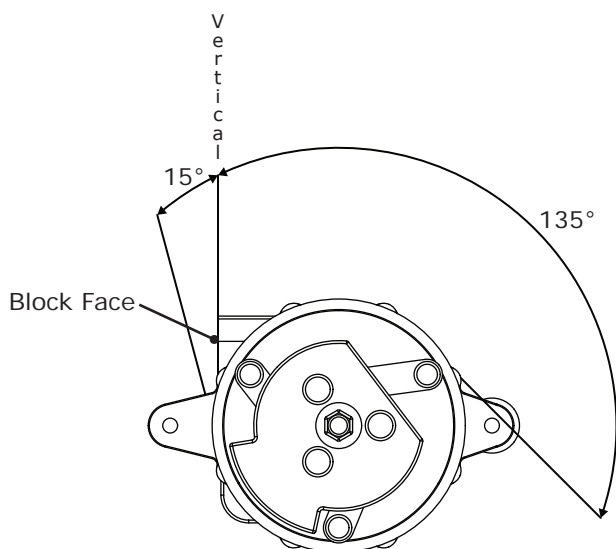
- Do not connect compressor clutch wire until system is being charged with refrigerant. Since an A/C system relies on refrigerant to circulate lubricant, running the compressor without refrigerant may destroy the compressor and void the warranty.
- Proper compressor orientation is important. Sanden compressors may be rotated from vertical (oil fill plug at top) up to 90° in either direction (See illustration, below).



Sanden 7B10 Style Compressors

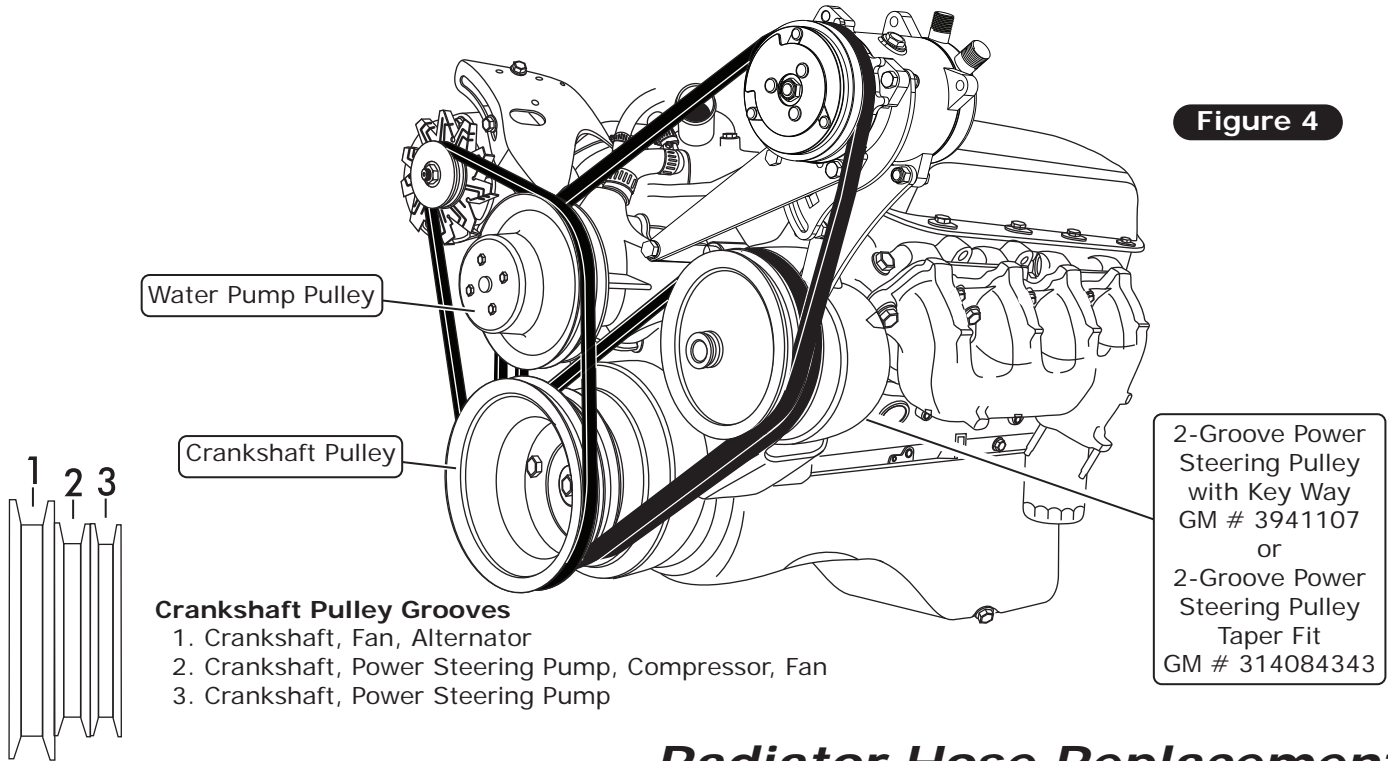
NOTE: Failure to follow these procedures may void all warranties.

- Do not connect compressor clutch wire until system is being charged with refrigerant. Since an A/C system relies on refrigerant to circulate lubricant, running the compressor without refrigerant may destroy the compressor and void the warranty.
- These compressors do not have an oil fill plug. Please reference the block fitting mount face for clocking range (See illustration, below).



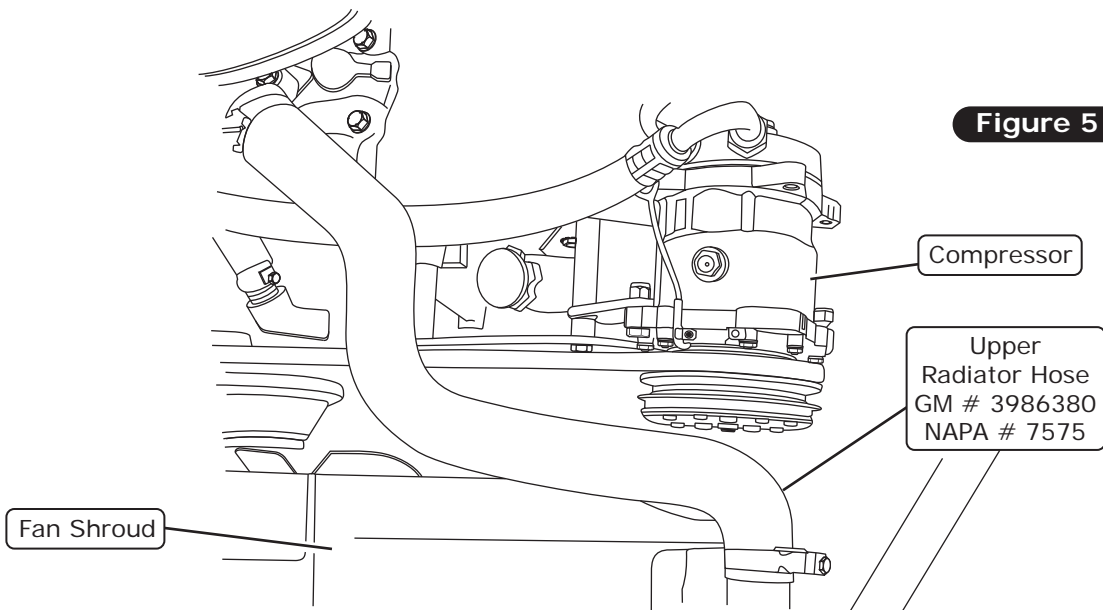
Belt Routing

1. Route the belts as shown in Figure 4, below. Vintage Air recommends using only Dayco, Gates or Goodyear brand reinforced V-belts with this compressor bracket kit. A compressor belt length of 62" is recommended.



Radiator Hose Replacement

1. On some models, it may be necessary to replace the upper radiator hose to ensure compressor clearance. If hose replacement is required, Vintage Air recommends either GM Part # 3986380 or NAPA Part # 7575.



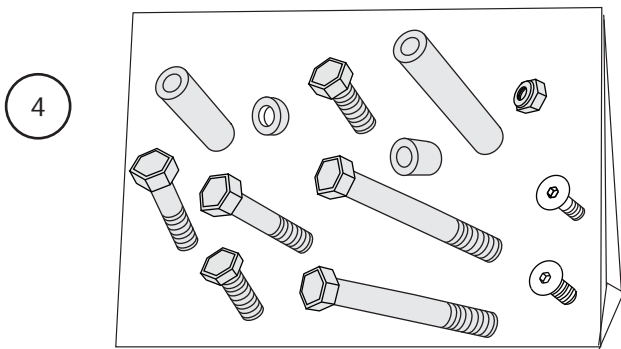
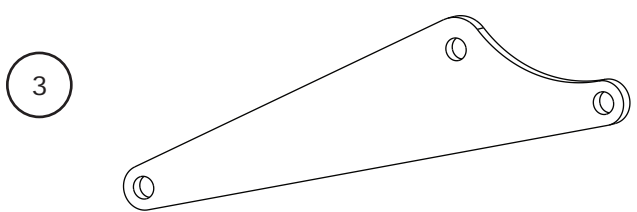
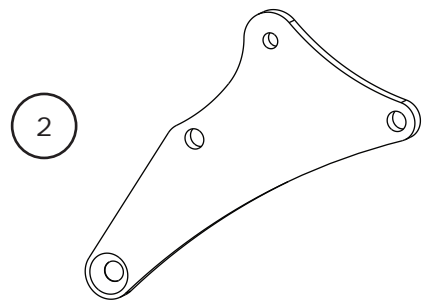
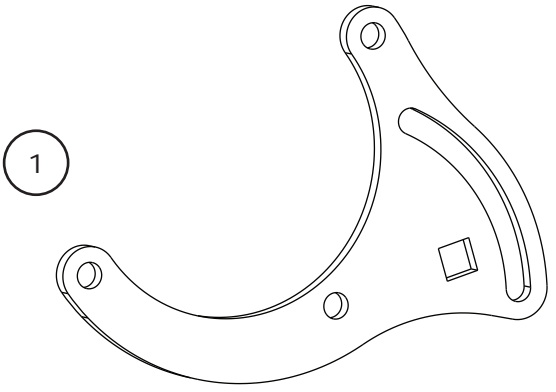


www.vintageair.com

Packing List: Compressor Bracket Kit (151370-BCA)

No.	Qty.	Part No.	Description
1.	1	146006-SCR	Bracket, Compressor Mounting
2.	1	156136	Bracket, Rear Compressor
3.	1	156138-BCR	Bracket, Front Compressor
4.	1	191137-HCA	Hardware Kit

Checked By: _____
 Packed By: _____
 Date: _____



**NOTE: Images may not depict actual parts and quantities.
 Refer to packing list for actual parts and quantities.**