

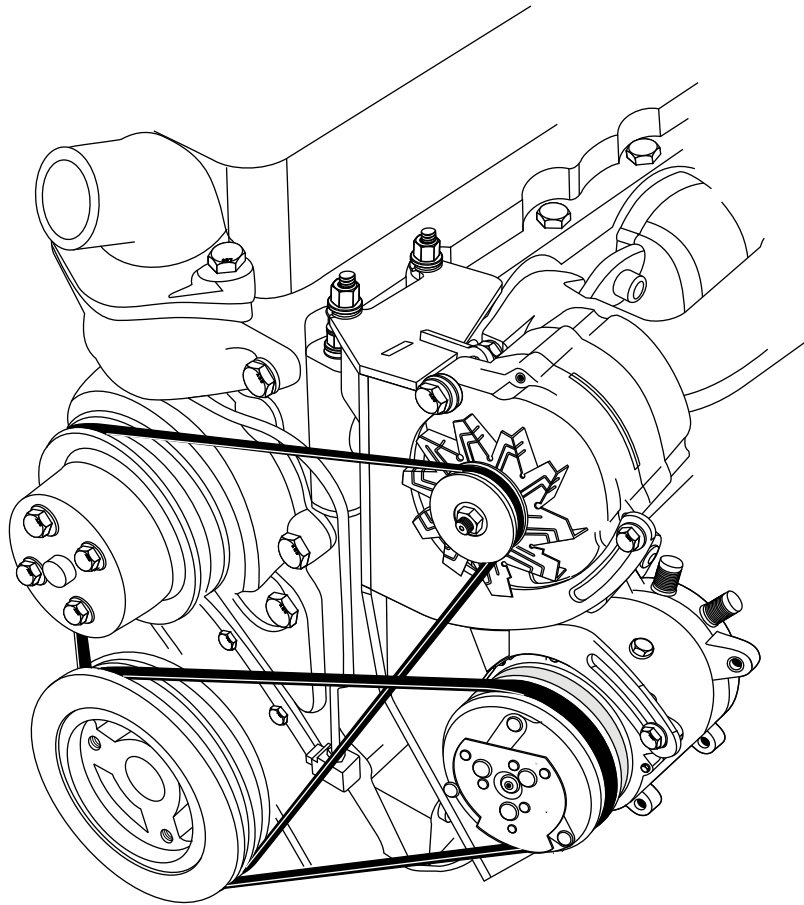


an ISO 9001:2015 Registered Company

# 235, 261 6-Cylinder Chevrolet

## Compressor & Alternator Bracket

(142401)



18865 Goll St. San Antonio, TX 78266  
Phone: 800-862-6658  
Sales: [sales@vintageair.com](mailto:sales@vintageair.com)  
Tech Support: [tech@vintageair.com](mailto:tech@vintageair.com)  
[www.vintageair.com](http://www.vintageair.com)



www.vintageair.com

# Table of Contents

Cover.....	1
Table of Contents.....	2
Packing List/Parts Disclaimer.....	3
Engine Disassembly.....	4
Balancer/Pulley Installation, Compressor/Alternator Mounting Bracket Installation.....	5
Compressor & Alternator Installation, Compressor Warnings.....	6
Final Steps.....	7
Packing List.....	8

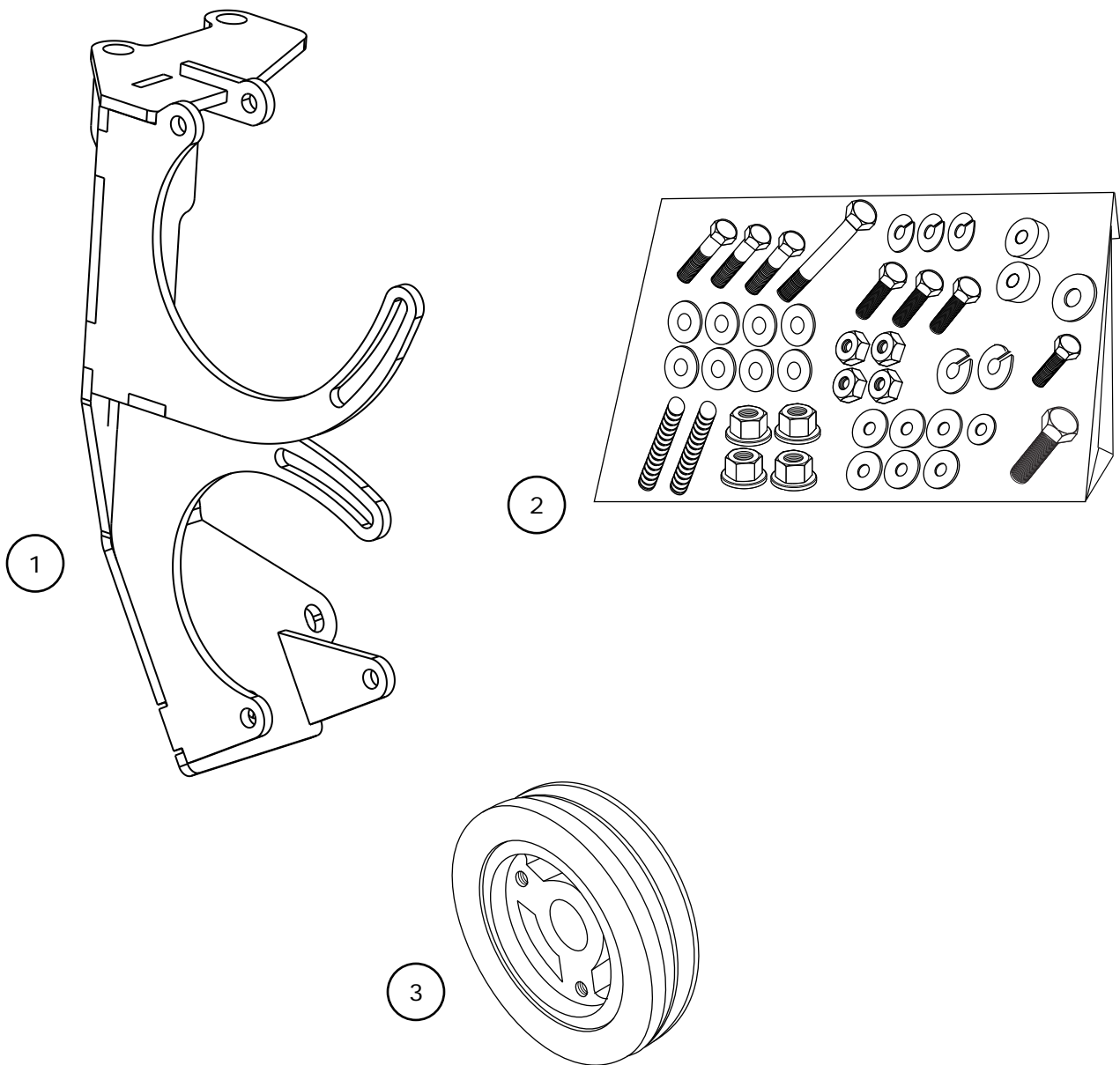


www.vintageair.com

## Packing List: Bracket Kit (142401)

No.	Qty.	Part No.	Description
1.	1	146414	Chevrolet Bracket Assembly
2.	1	191011	Hardware Kit
3.	1	732100	2-Groove 6-Cylinder Balancer/Pulley Assembly

**\*\* Before beginning installation, open all packages and check contents of shipment. Please report any shortages directly to Vintage Air within 15 days. After 15 days, Vintage Air will not be responsible for missing or damaged items.**



**NOTE: Images may not depict actual parts and quantities. Refer to packing list for actual parts and quantities.**

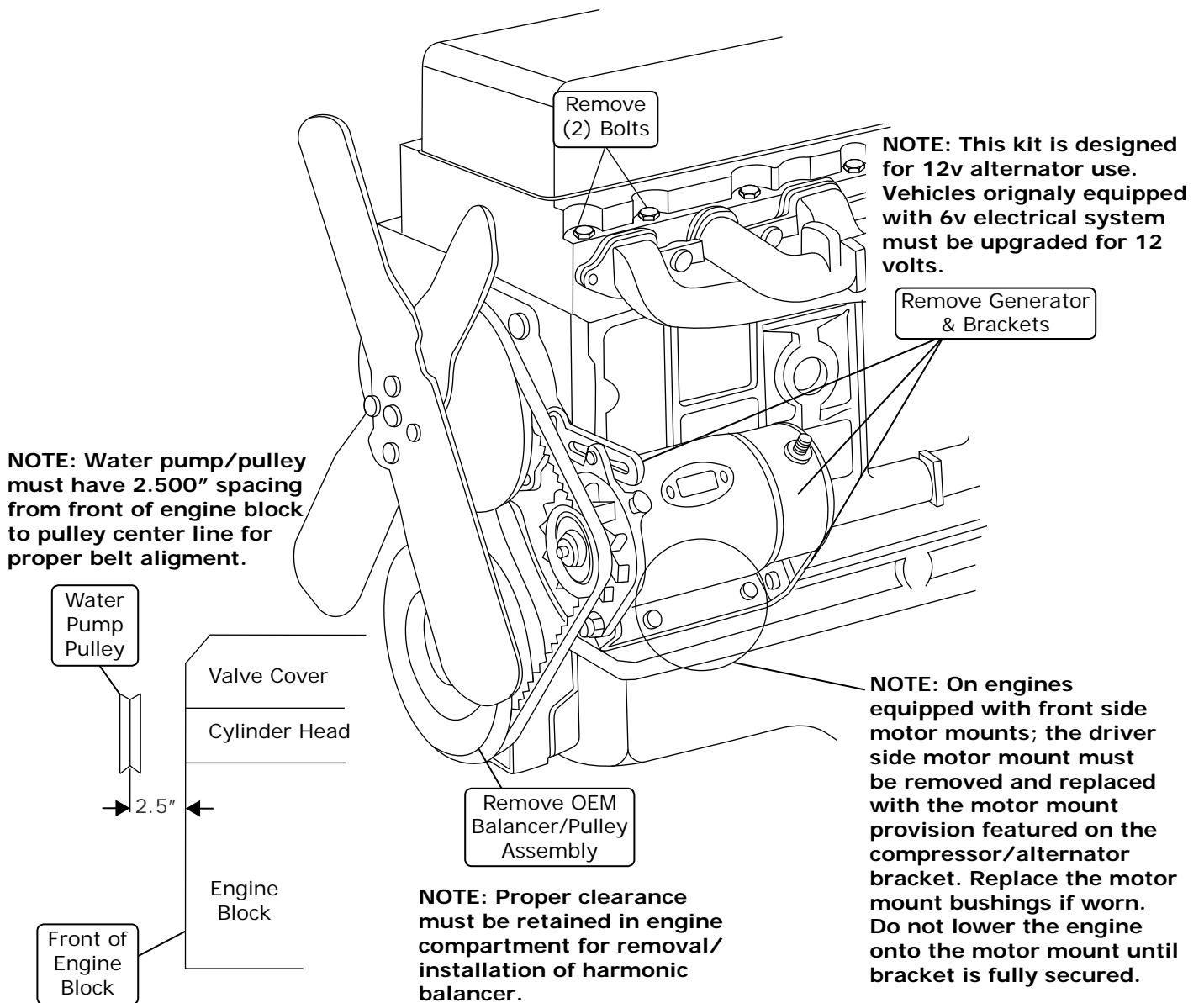
**NOTE:** Before tightening bolts, assemble all brackets loosely to engine. This will ensure proper alignment of all brackets.

www.vintageair.com

## Engine Disassembly

**NOTE:** May not clear some factory air cleaners. Make sure the engine is not hot and release the pressure on the radiator cap to prevent accident or injury during removal. Study the instructions, illustrations and diagrams.

1. Disconnect the battery.
2. Remove the OEM engine fan, fan pulley and belts (retain).
3. Remove the generator and mounting brackets (See Figure 1, below).
4. Remove the OEM balancer/pulley assembly (discard).
5. Remove the front (2) 1/2-13 cylinder head bolts as shown in Figure 1, below.



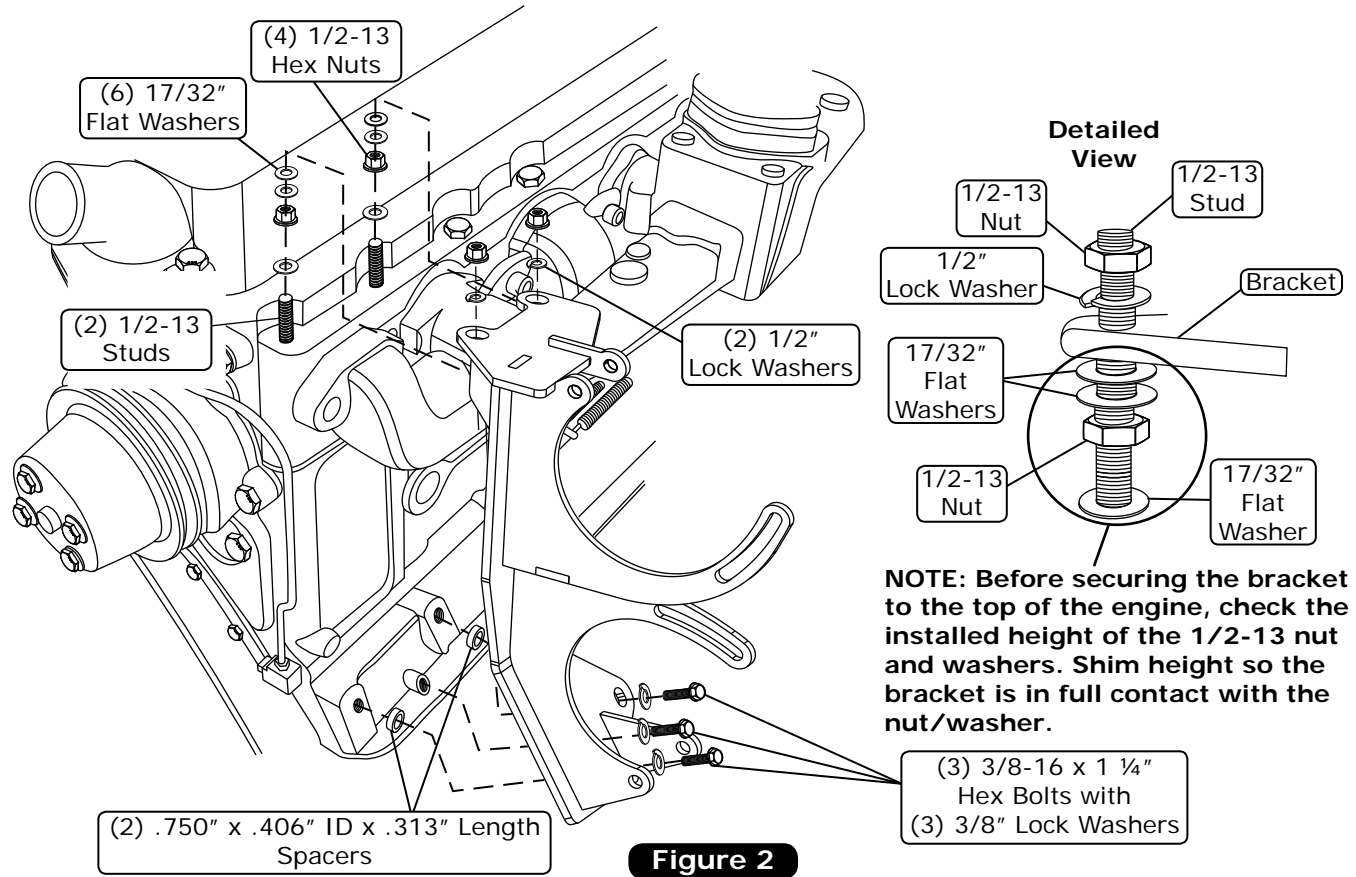
**Figure 1**

## Balancer/Pulley Installation

1. Vintage Air recommends drilling and tapping the crankshaft snout for balancer retention. For proper procedure, refer to the crankshaft drilling/tapping kit (421000) instruction.

## Compressor/Alternator Mounting Bracket Installation

1. Install the compressor/alternator mounting bracket onto the engine using (3) 3/8-16 x 1 1/4" hex bolts, (3) 3/8" lock washers and (2) .313" length spacers for the lower mounting provisions (See Figure 2, below). Use (2) 1/2-13 studs, (6) 17/32" flat washers and (2) 1/2" lock washers for the upper mounting provisions as shown in Figure 2, below. **NOTE: Use thread sealant on the 1/2-13 studs before inserting them into the engine block. Insert studs to original bolt depth (approximately 3.25"). Torque nuts to 90-95 ft. lbs.**

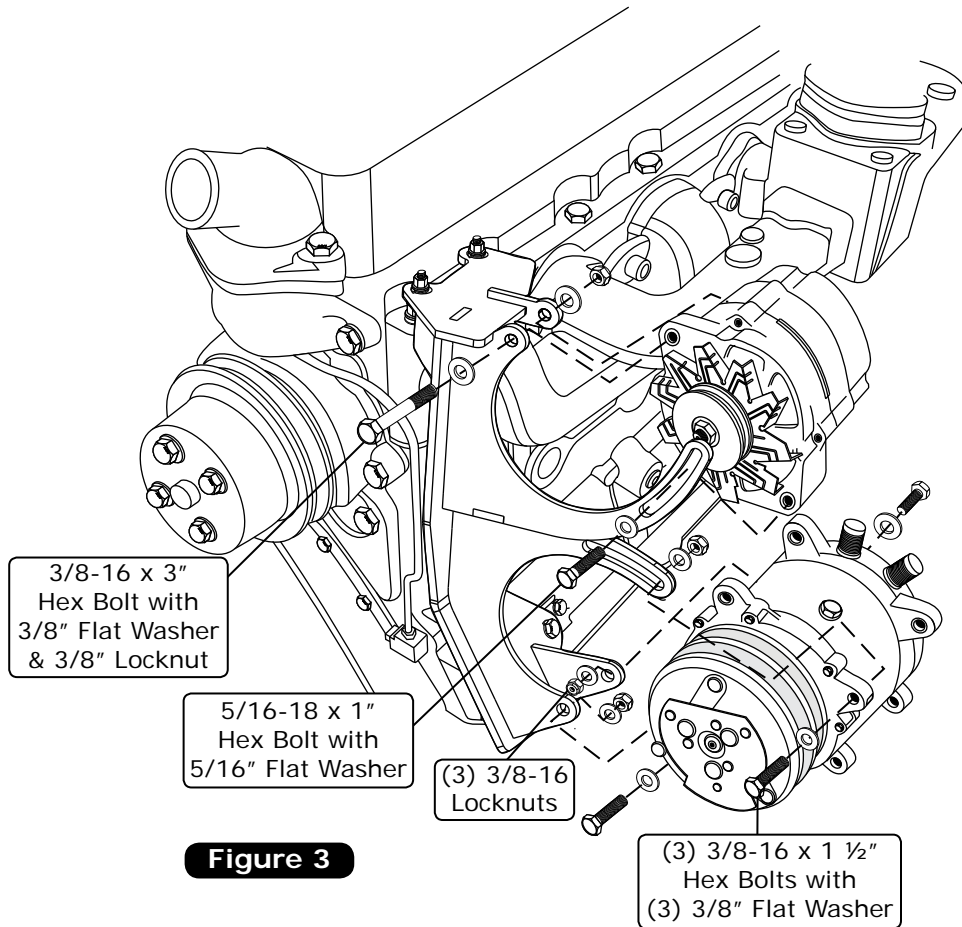


**NOTE: Before securing the bracket to the top of the engine, check the installed height of the 1/2-13 nut and washers. Shim height so the bracket is in full contact with the nut/washer.**

**Figure 2**

## Compressor & Alternator Installation

1. Install the compressor onto the mounting bracket using (3) 3/8-16 x 1 1/2" bolts, (3) 3/8" flat washers and (3) 3/8-16 locknuts as shown in Figure 3, below.
2. Install a 3/8-16 x 3" hex bolt and 3/8" flat washer onto the top of the alternator, and mount as shown in Figure 3, below.
3. Using a 5/16-18 x 1" hex bolt and 5/16" flat washer, install the bottom of the alternator to the upright alternator mounting bracket as shown in Figure 3, below.



**Figure 3**

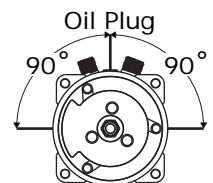
## Compressor Warnings

**NOTE: Failure to follow these procedures may void all warranties.**

1. With compressor kit installed, and belt tightened, check angle of oil plug on compressor. As shown below, oil plug must not exceed 90° beyond vertical centerline.
2. Do not connect compressor clutch wire until system is being charged with refrigerant. Running compressor without refrigerant charge may result in compressor failure.

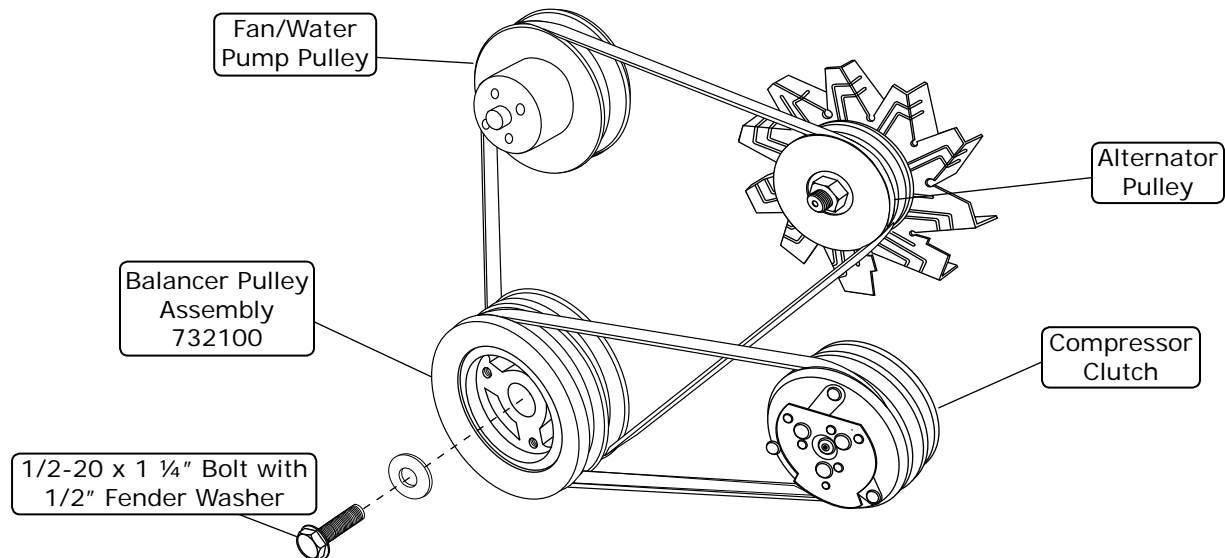
## IMPORTANT NOTICE:

- Do not connect compressor clutch wire until system is being charged with refrigerant. Since an A/C system relies on refrigerant to circulate lubricant, running the compressor without refrigerant may destroy the compressor and void the warranty.
- Proper compressor orientation is important. Sanden compressors may be rotated from vertical (oil fill plug at top) up to 90° in either direction (See illustration).



## Final Steps

1. Install the balancer/pulley assembly using a 1/2-20 x 1 1/4" bolt and 1/2" fender washer. Torque to 75 ft. lbs.  
**NOTE: Vintage Air recommends drilling and tapping the crankshaft snout for balancer retention. Before installing balancer/pulley assembly, refer to the crankshaft drilling/tapping kit (421000) instruction.**
2. Reinstall the engine fan pulley and fan.
3. Install the belts as shown in Figure 4, below. **NOTE: Adjust to proper tension and tighten all bolts.**
4. A/C compressor belt: 1/2" x 38" and alternator belt: 1/2" x 48".
5. Check for proper clearance between the compressor, compressor clutch, mounting bracket and all heater hoses and oil lines. Fill up the radiator to replace any fluids lost during the installation process.



**Figure 4**

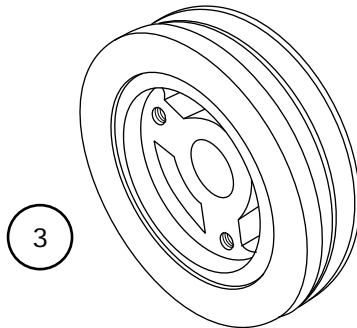
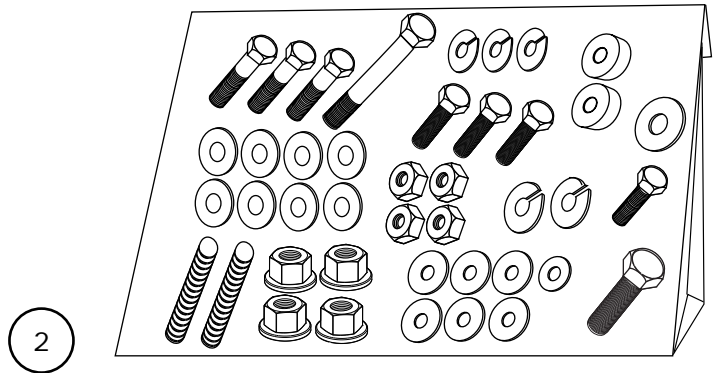
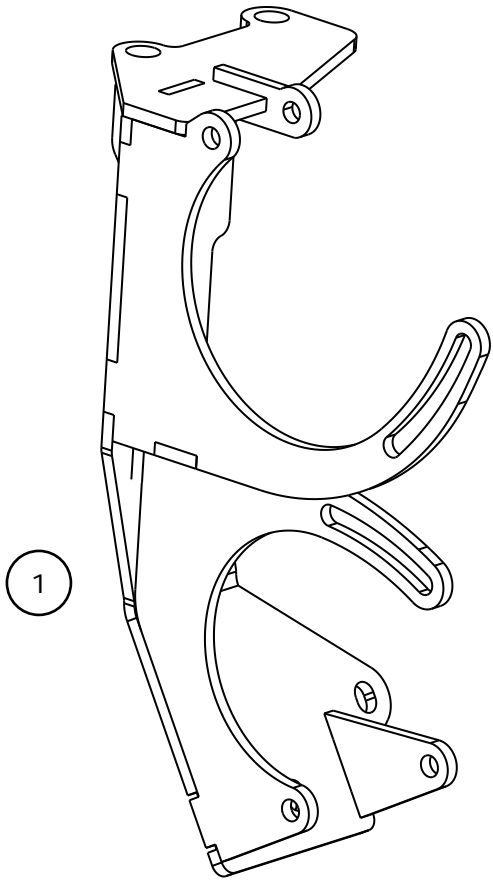


www.vintageair.com

# Packing List: Bracket Kit (142401)

No.	Qty.	Part No.	Description
1.	1	146414	Chevrolet Bracket Assembly
2.	1	191011	Hardware Kit
3.	1	732100	2-Groove 6-Cylinder Balancer/Pulley Assembly

Checked By: \_\_\_\_\_  
 Packed By: \_\_\_\_\_  
 Date: \_\_\_\_\_



**NOTE: Images may not depict actual parts and quantities.  
Refer to packing list for actual parts and quantities.**