

Scan for installation video



www.kwikperf.com

## Installation Instructions for K10470 A/C Bracket for LS engines with Corvette balancer

### Kit contents:

- Mounting plates
- Spacer tubes
- Fasteners
- Idler pulley
- Tensioner

### Additional parts required:

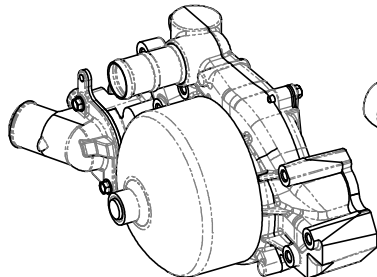
- Belt. See chart below.
- AC compressor, Sanden "508" style. Typical SD5 Sanden part number is 6629. However, we recommend the SD7 Sanden part number 4665 for smoother operation and less vibration.

Suggested belt length and Gates PN - K10470 AC bracket - Corvette spacing and Corvette alternator				
Factory GM Alt/PS bracket and pulley	Kwik Performance Alt/PS bracket K10166			Kwik Performance alternator only bracket K10192
	6.7" diameter power steering pulley	6.0" diameter power steering pulley	5.5" diameter power steering pulley	
100.25" K060997	99" K060984	98.13" K060975	97.63" K060970 (Factory Corvette alternator)	92.13" K060915
			97.13" K060966 (PowerMaster 48206 alternator)	

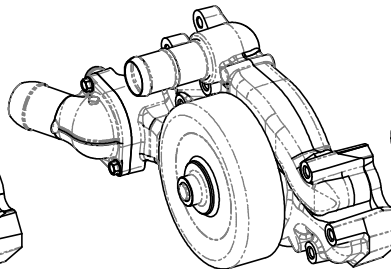
## Water pump identification

Needed for Installation Step 2.

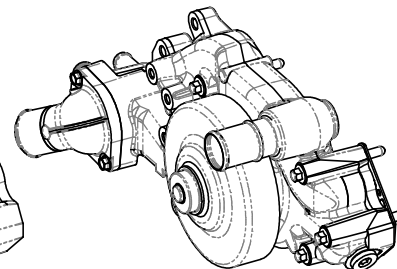
LS1 and LS6 water pump:



LS2 and LS7 water pump:



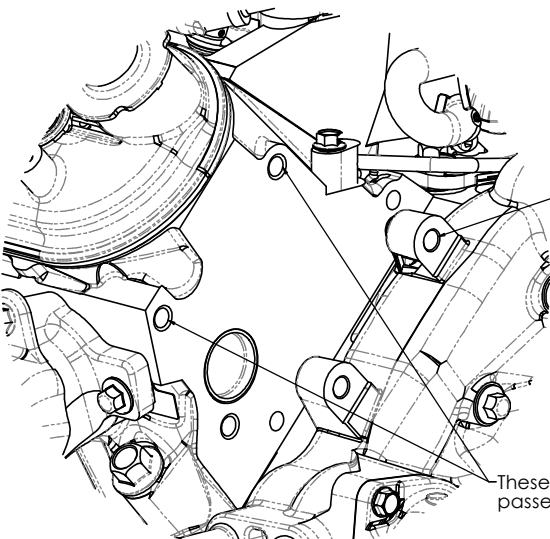
LS3 water pump:





# Installation Instructions for K10470

## A/C Bracket for LS engines with Corvette balancer



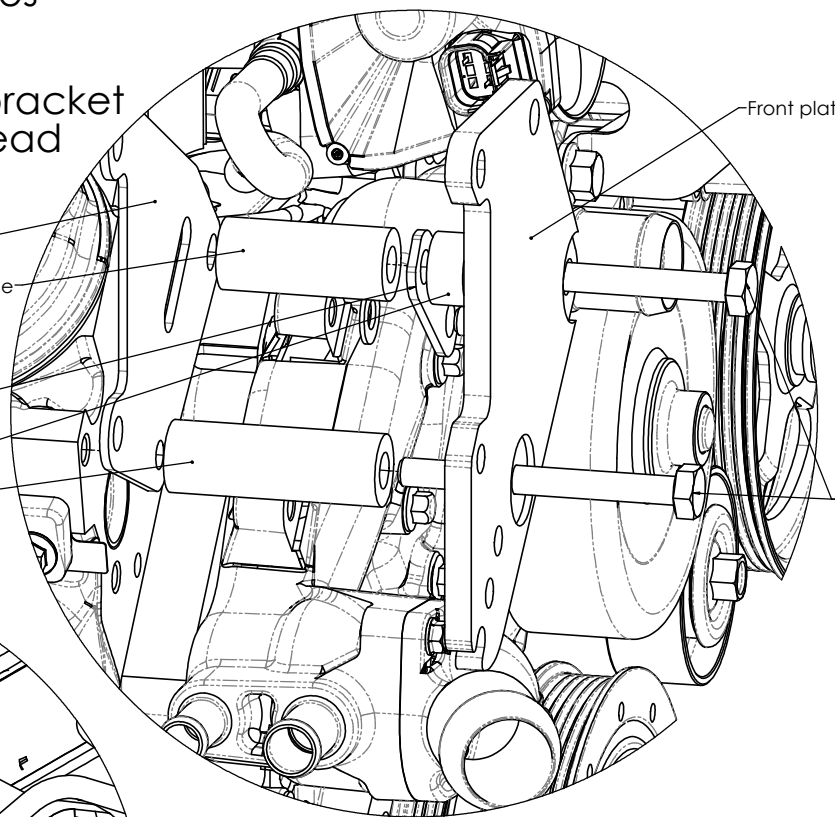
This threaded hole in the water pump will be used.

These 2 threaded holes in the passenger side head will be used.

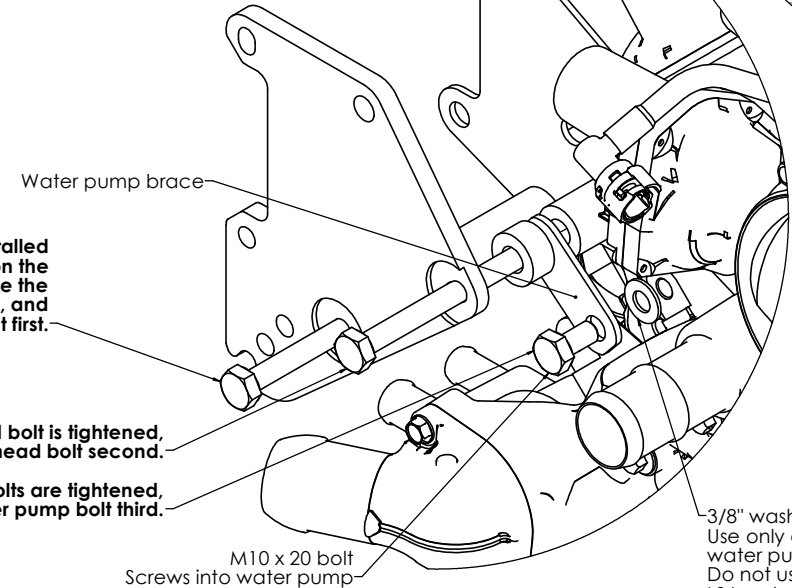
### 1. Install bracket bolts in head

Leave bolts finger tight to allow adjustment.

- Rear plate
- 1" OD x 2-3/8" tube
- Water pump brace
- 1" OD x 1/2" tube
- 1" OD x 3" tube



### 2. Install Water Pump Bolt



After all 3 bolts are installed finger tight, lift up on the front plate to take the weight off the bolts, and tighten this head bolt first.

After the first head bolt is tightened, tighten this head bolt second.

After the 2 head bolts are tightened, tighten the water pump bolt third.

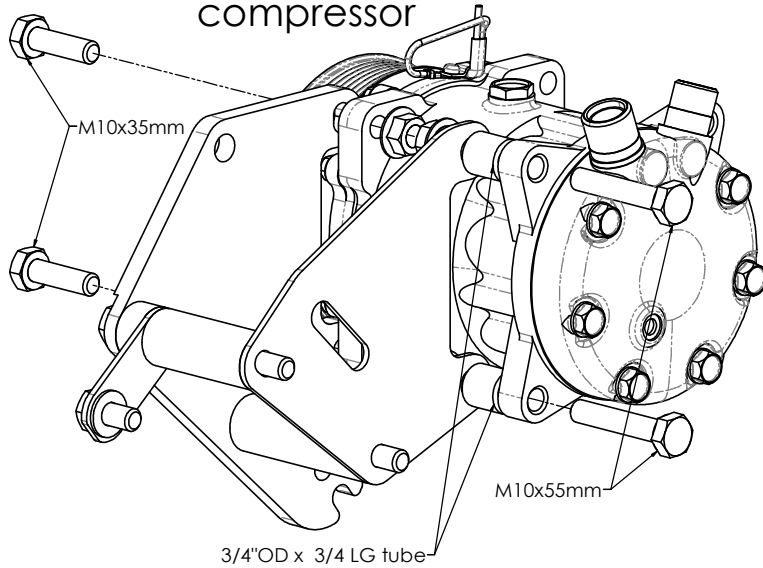
### 3. Bolt torque

Tighten 10mm fasteners to 37 ft-lbs (50 N-m)

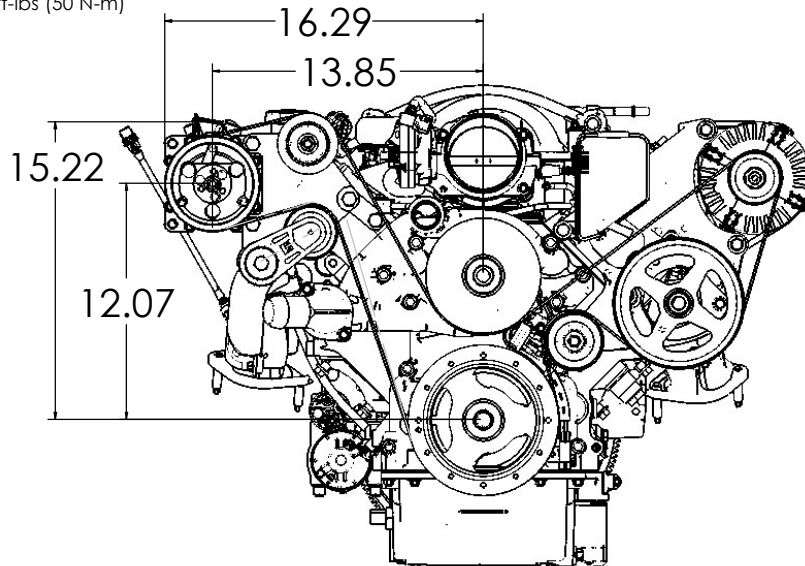


## Installation Instructions for K10470 A/C Bracket for LS engines with Corvette balancer

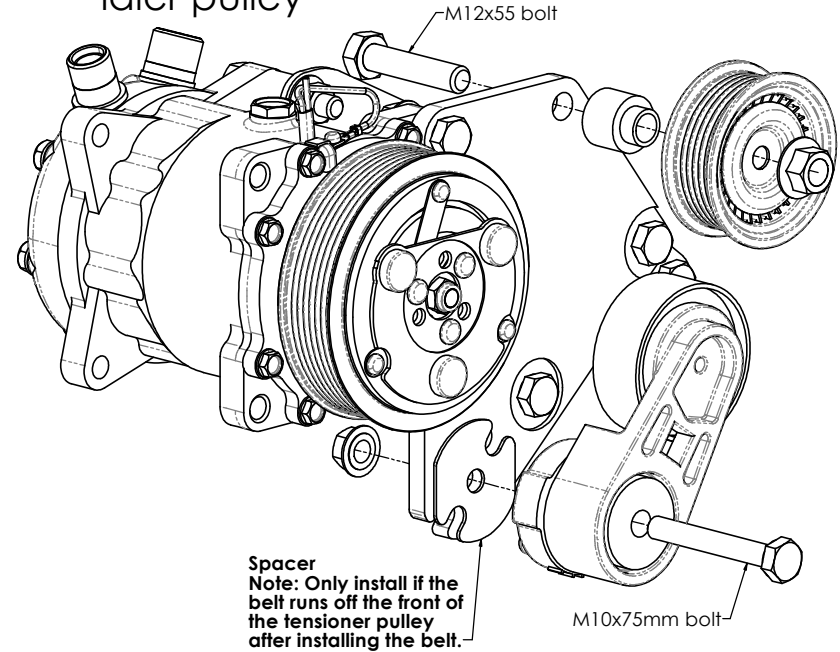
### 4. Install compressor



Tighten 10mm fasteners to 37 ft-lbs (50 N-m)



### 5. Install tensioner & idler pulley



Tighten 10mm fasteners to 37 ft-lbs (50 N-m),  
Tighten 12mm fasteners to 50 ft-lbs (68 N-m).

### 6. Install belt

See page 1 for belt length recommendations

**Note:**  
Install belt in rear 6 grooves of 7 groove 4665 compressor.  
Install belt in middle 6 grooves of 8 groove 4711 compressor.

**Note:**  
For best performance and longest life, the belt lengths suggested by Kwik Performance are the shortest belt that can be reasonably installed.

- We recommend the following procedure:
1. When installing the serpentine belt, place the belt around all pulleys as shown in the diagram except for the water pump pulley.
  2. Check to see that the belt is in the correct grooves of the AC compressor.
  3. Check to make sure that the belt is seated all the way in the grooves of each grooved pulley.
  4. Retract the tensioner all the way and slip the belt onto the water pump pulley.
  5. Release the tensioner.