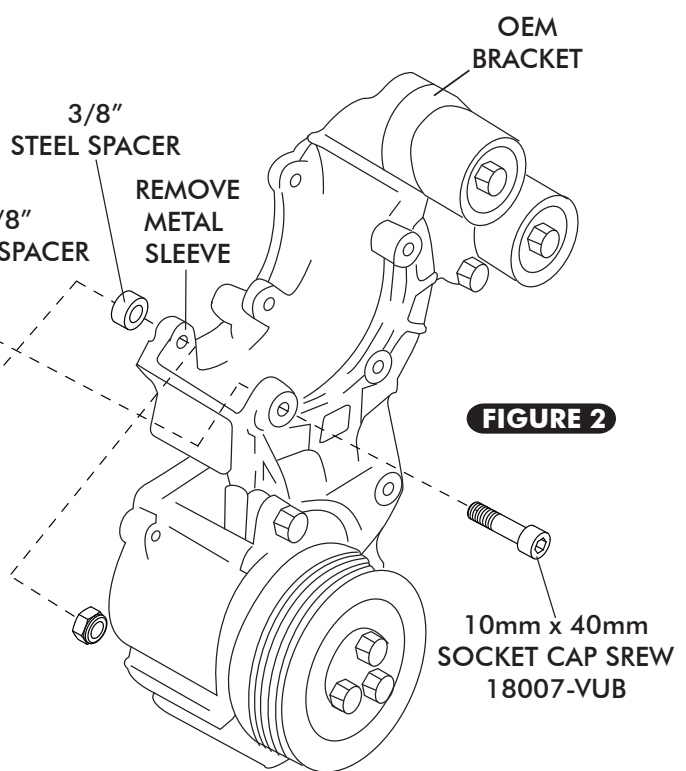
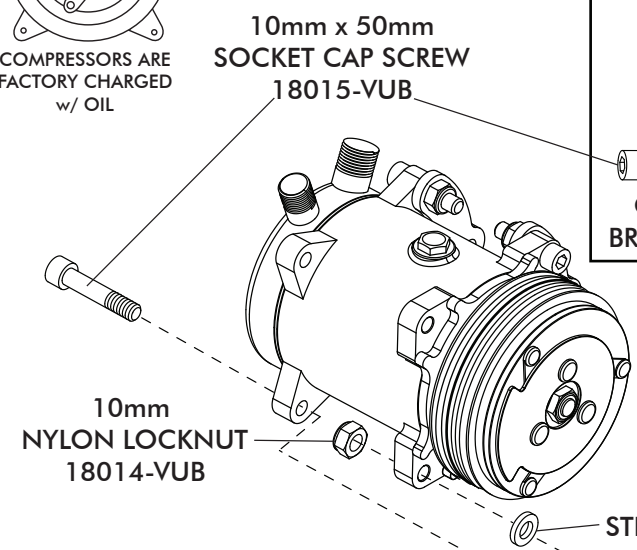
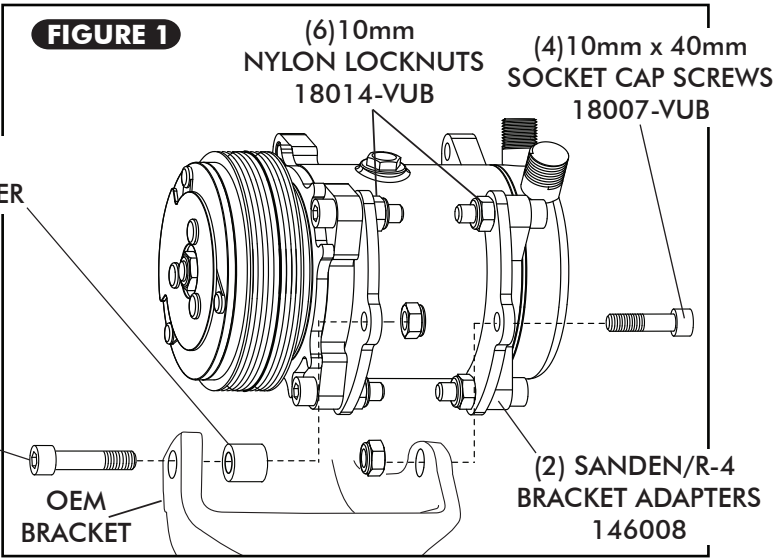
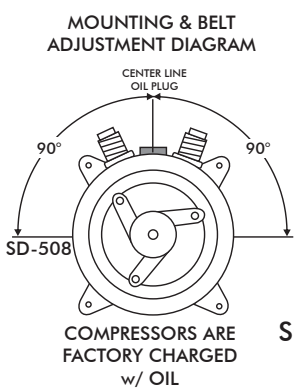




SANDEN/R-4 MULTI-GROOVE COMPRESSOR CONVERSION BRACKET 141805

- INSTALL THE SANDEN/R-4 BRACKET ADAPTERS ONTO THE COMPRESSOR AS SHOWN IN FIGURE 1, BELOW.
- INSTALL THE COMPRESSOR/BRACKET ASSEMBLY ONTO THE OEM BRACKET AS SHOWN IN FIGURES 1 & 2, BELOW.



IMPORTANT NOTICE

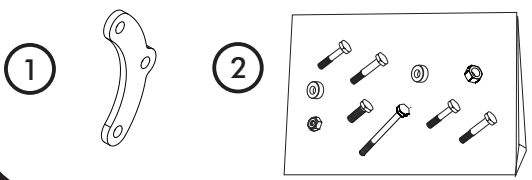
DO NOT CONNECT COMPRESSOR CLUTCH WIRE UNTIL SYSTEM IS BEING CHARGED w/REFRIGERANT. RUNNING COMPRESSOR WITHOUT REFRIGERANT WILL VOID WARRANTY!

WHEN MOUNTING & ADJUSTING YOUR BELT MAKE SURE THE OIL PLUG CENTERLINE DOES NOT EXCEED 90° FROM VERTICAL IN EITHER DIRECTION TO AVOID COMPRESSOR FAILURE.

VINTAGE AIR RECOMMENDS USING ONLY DAYCO, GATES, OR GOODYEAR BRAND REINFORCED BELTS WITH THIS COMPRESSOR. ANY USE OF LESSER QUALITY BELTS MAY CAUSE COMPRESSOR TO PERFORM IMPROPERLY.

NOTE: FAILURE TO FOLLOW THESE PROCEDURES WILL VOID ALL WARRANTIES.

No.	QTY.	PART No.	DESCRIPTION
1.	2	146008	SANDEN/R-4 BRACKET ADAPTER
2.	1	191012	SANDEN/R-4 CONVERSION HARDWARE KIT



CHECKED BY: _____
 PACKED BY: _____
 DATE: _____