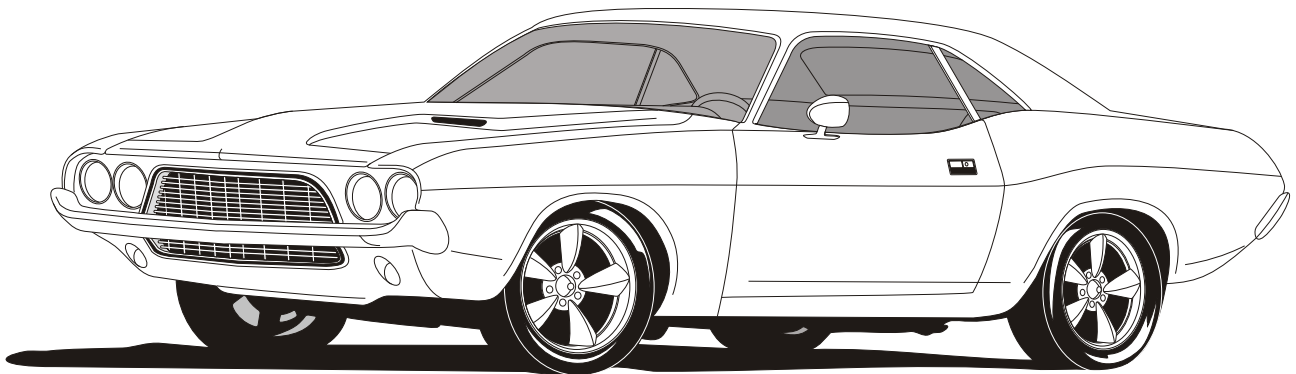




1970-74 CHALLENGER CUDA w/o AC CONDENSER KIT 057072-EDA



18865 GOLL ST. - SAN ANTONIO, TX. - 78266 ph.210-654-7171 - fax 210-654-3113



Table of Contents

PAGES

1. COVER
2. TABLE OF CONTENTS
3. PACKING LIST/PARTS DISCLAIMER
4. INFORMATION PAGE
5. CONDENSER BRACKET INSTALLATION
6. CONDENSER BRACKET INSTALLATION CONT.
HOOD LATCH REMOVAL
7. CONDENSER INSTALLATION
8. CONDENSER ASM. INSTALLATION CONT.
9. CONDENSER KIT PACKING LIST



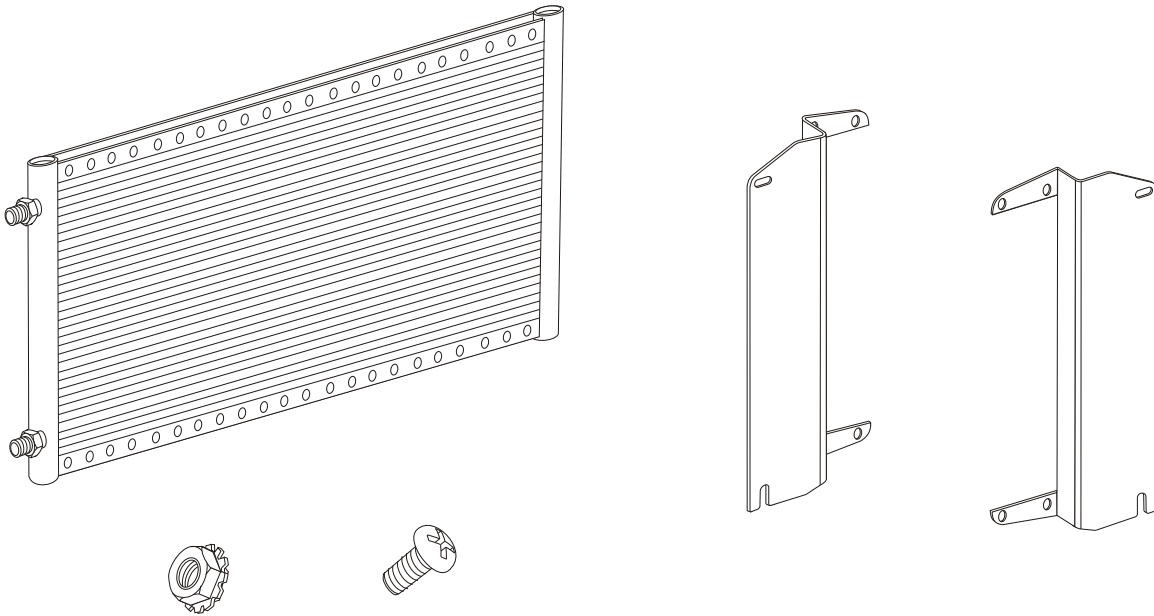
1970-74 CHALNGR/CUDA w/o AC COND KIT

CONDENSER KIT PACKING LIST

CONDENSER KIT
057072-EDA

No.	QTY.	PART No.	DESCRIPTION
1.	1	03766-VUC	SUPER FLOW CONDENSER 14 x 22
2.	1	646002-PDB	70-74 CHALNGR/CUDA W/O AC DS COND BRKT
3.	1	646003-PDB	70-74 CHALNGR/CUDA W/O AC PS COND BRKT
4.	8	18260-VUB	10/24 NUT w/ STAR WASHER
5.	8	18249-VUB	10-24 x 3/8" PH PAN HEAD SCREW

**** BEFORE BEGINNING INSTALLATION OPEN ALL PACKAGES AND CHECK CONTENTS OF SHIPMENT. PLEASE REPORT ANY SHORTAGES DIRECTLY TO VINTAGE AIR WITHIN 15 DAYS. AFTER 15 DAYS, VINTAGE AIR WILL NOT BE RESPONSIBLE FOR MISSING OR DAMAGED ITEMS.**



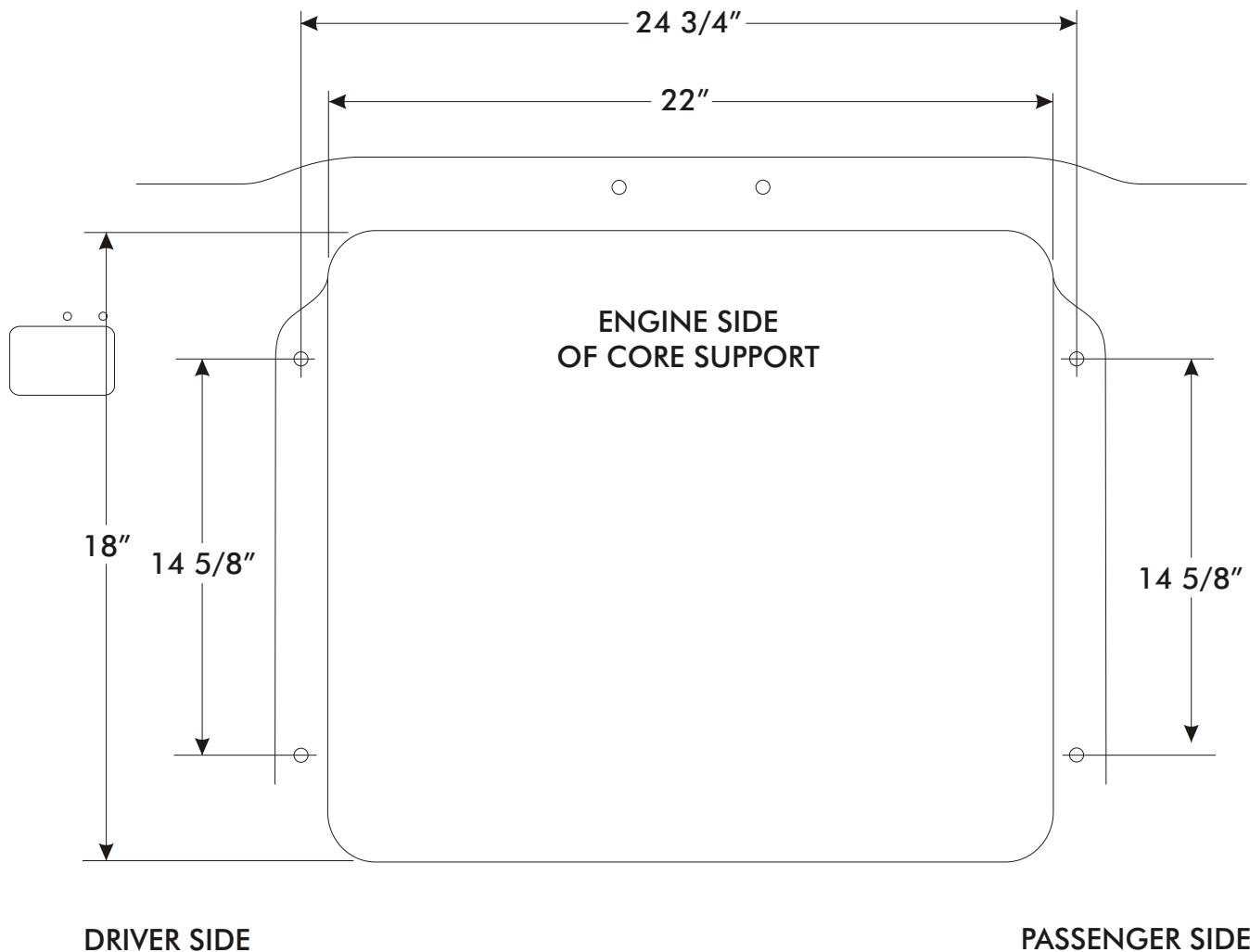
NOTE: IMAGES MAY NOT DEPICT ACTUAL PARTS AND QUANTITIES. REFER TO PACKING LIST FOR ACTUAL PARTS AND QUANTITIES.



1970-74 CHALLENGER/CUDA GEN IV

IMPORTANT NOTICE-PLEASE READ

THIS KIT WAS DEVELOPED BASED ON THE MEASUREMENTS BELOW, WHICH WERE TAKEN FROM A 1973 BARRACUDA w/o FACTORY AIR CORE SUPPORT.

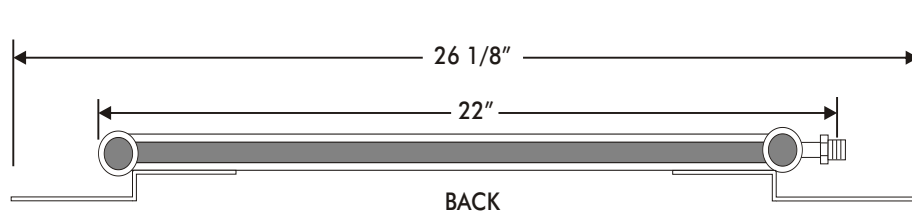




1970-74 CHALNGR/CUDA w/o AC COND KIT

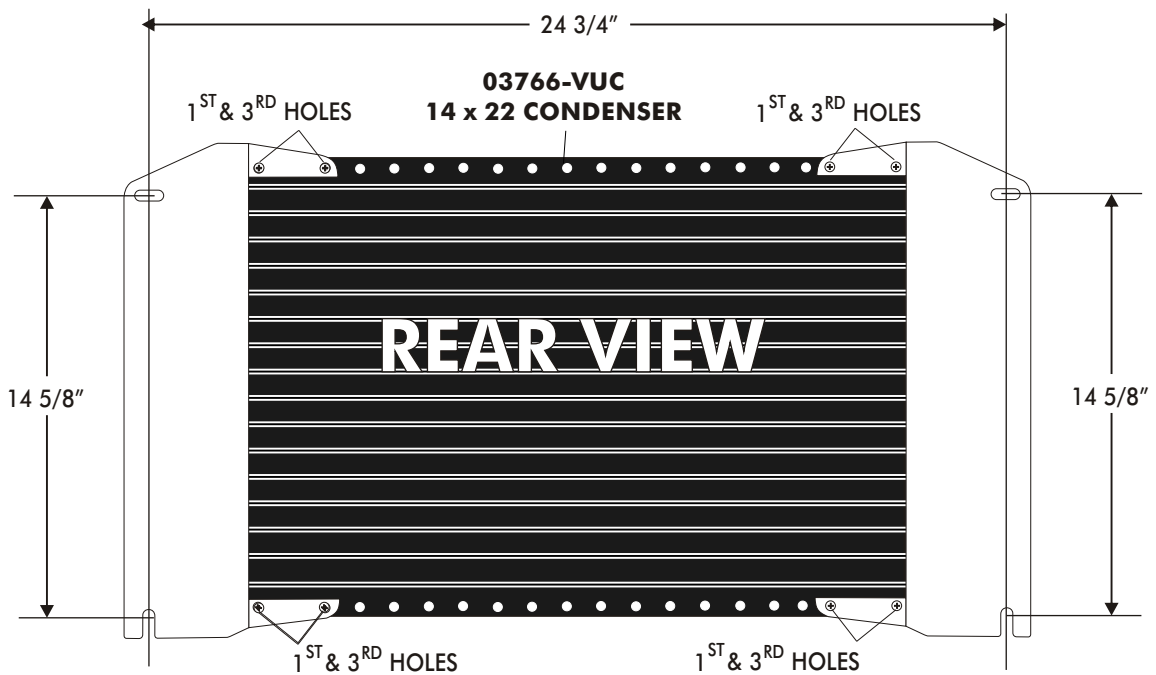
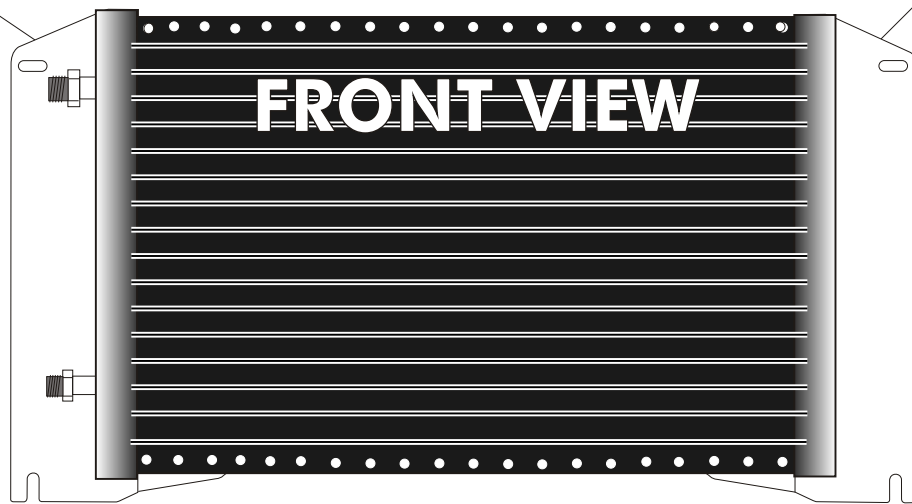
CONDENSER BRACKET INSTALLATION

TOP VIEW



646003-PDB
PS COND
BRKT

646002-PDB
DS COND
BRKT





1970-74 CHALNGR/CUDA w/o AC COND KIT

MOUNTING BRACKET INSTALLATION

- INSTALL CONDENSER MOUNTING BRACKET ON CONDENSER USING (8) 10/24 x 3/8 PAN HEAD SCREWS AND (8) 10/24 NUTS WITH STAR WASHERS.

SEE FIGURE 1 BELOW.

NOTE: BRACKETS MOUNT THROUGH THE FIRST AND THIRD HOLE IN THE CONDENSER.

NOTE: BRACKETS ARE NOT THE SAME.

* PASSENGER SIDE BRKT IS 3 1/8" AS SHOWN

* DRIVER SIDE BRKT IS 2 5/8" AS SHOWN

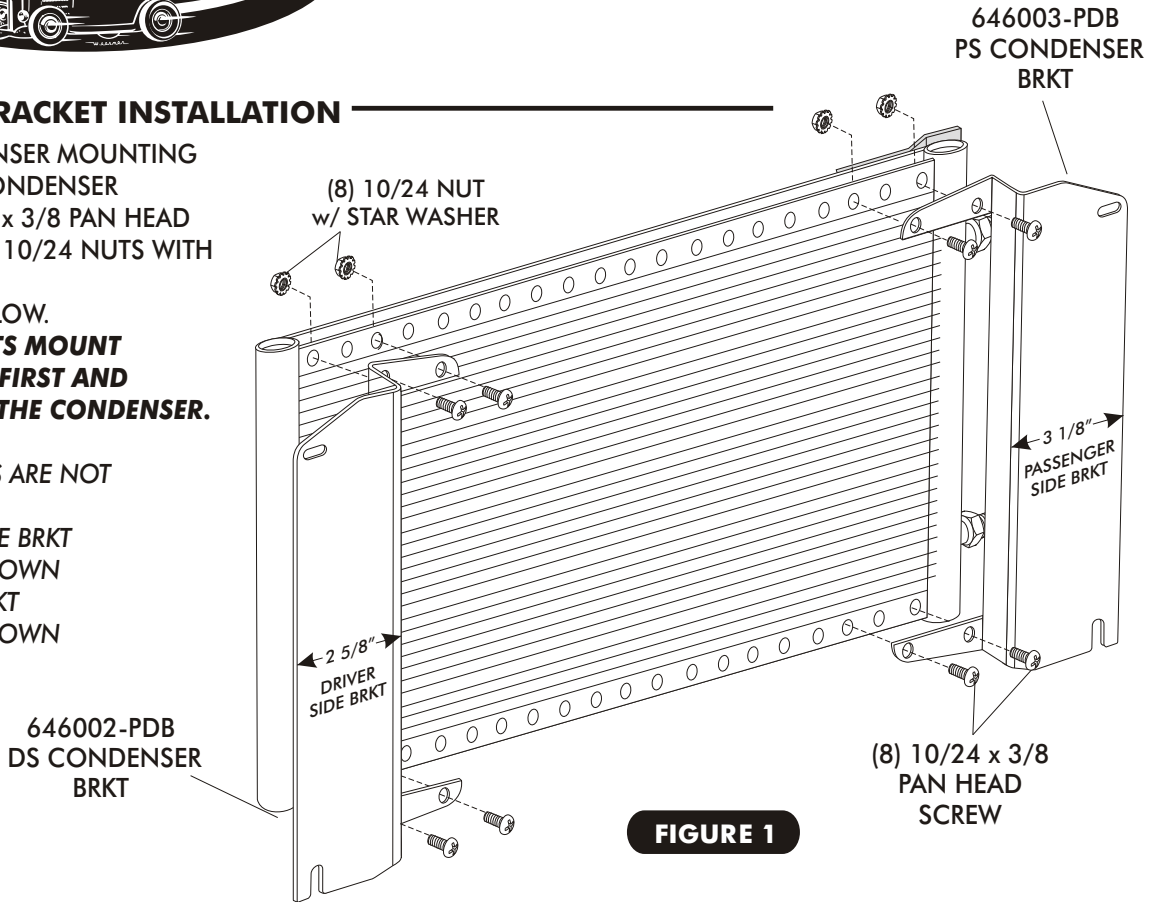


FIGURE 1

HOOD LATCH ASSEMBLY REMOVAL

- REMOVE OEM HOOD LATCH ASSEMBLY AND HARDWARE AS SHOWN BELOW IN FIGURE 2. (RETAIN)

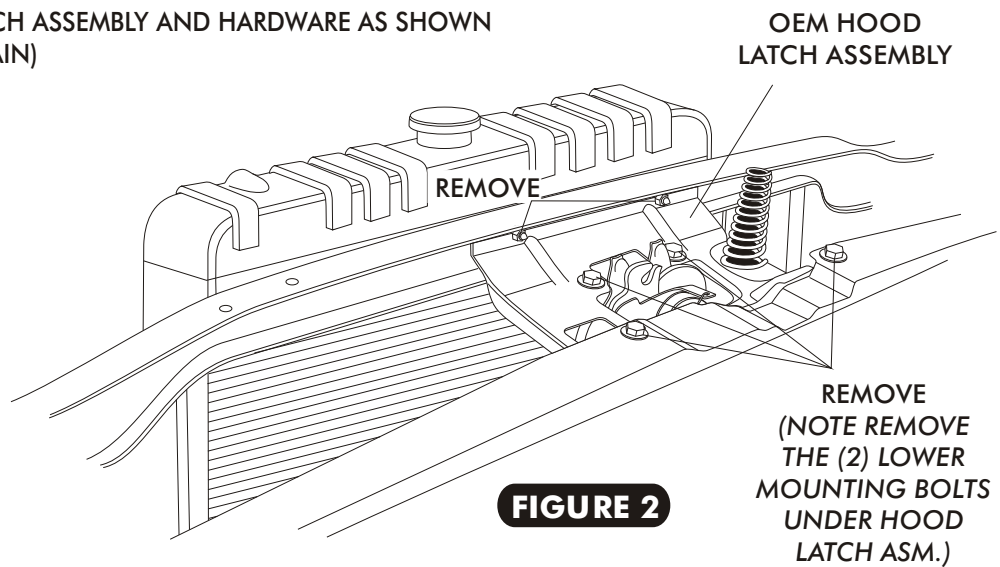


FIGURE 2



CONDENSER ASSEMBLY INSTALLATION

- REMOVE THE (4) RADIATOR MOUNTING BOLTS AND RETAIN.
- LEAN THE RADIATOR TOWARD THE ENGINE
- INSTALL THE CONDENSER ASSEMBLY BETWEEN THE GRILLE AND CORE SUPPORT AS SHOWN IN FIGURE 3 BELOW.
- WITH THE CONDENSER ASSEMBLY BETWEEN THE GRILLE AND THE CORE SUPPORT, SLIDE THE CONDENSER ASSEMBLY TO THE RIGHT AND PASS THE CONDENSER ASSEMBLY THROUGH THE OPENING IN THE CORE SUPPORT BETWEEN THE RADIATOR AND THE CORE SUPPORT.
- WITH THE LEFT SIDE OF THE CONDENSER ASSEMBLY BETWEEN THE RADIATOR AND THE CORE SUPPORT, SLIDE THE CONDENSER ASSEMBLY TO THE LEFT AND PLACE THE RIGHT SIDE THE CONDENSER ASSEMBLY THROUGH THE OPENING IN THE CORE SUPPORT BETWEEN THE RADIATOR AND THE CORE SUPPORT.

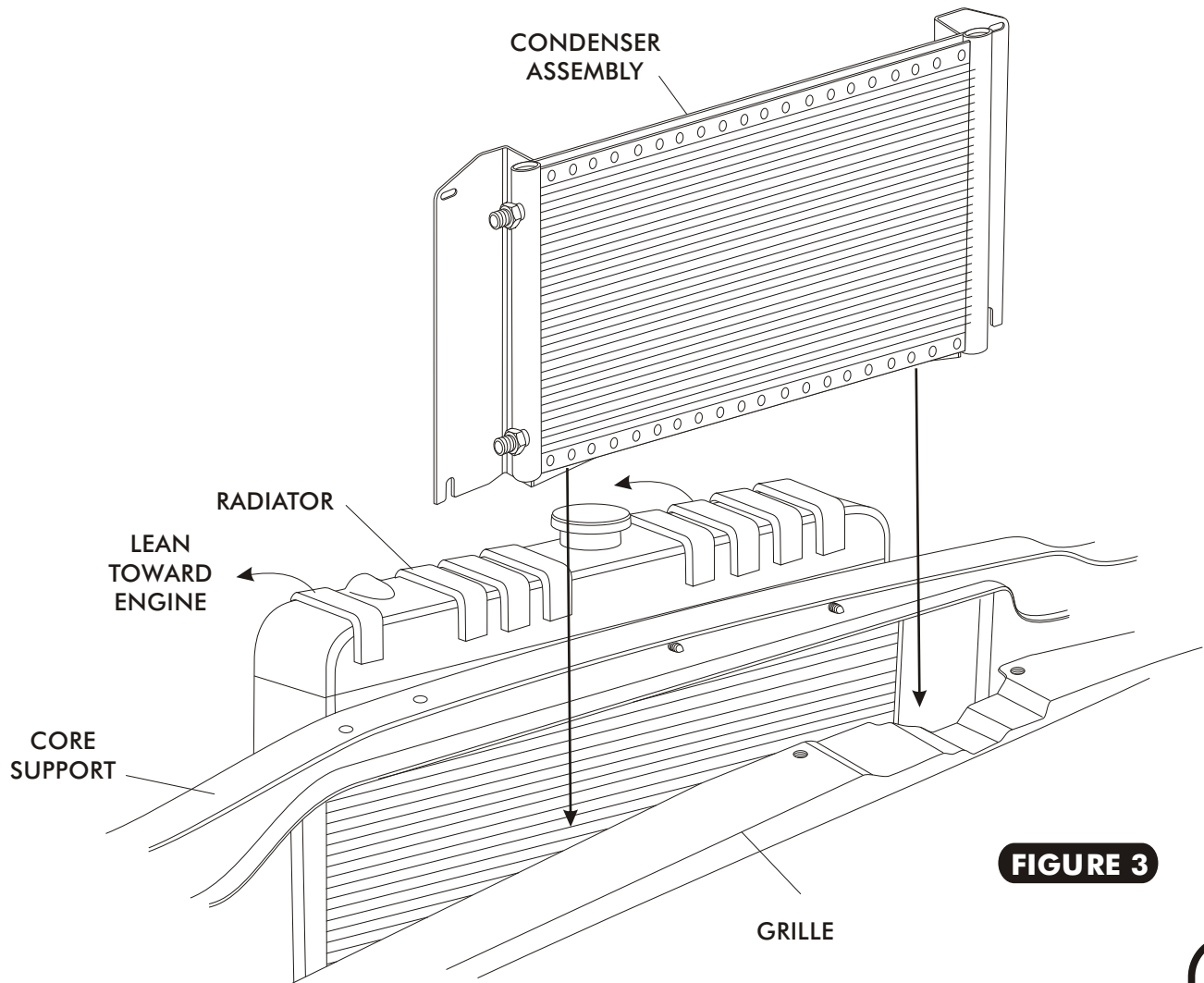


FIGURE 3

CONDENSER ASSEMBLY INSTALLATION CONT.

- USING THE OEM HARDWARE SECURE THE CONDENSER ASSEMBLY BETWEEN THE RADIATOR AND THE CORE SUPPORT SEE FIGURE 4 BELOW.

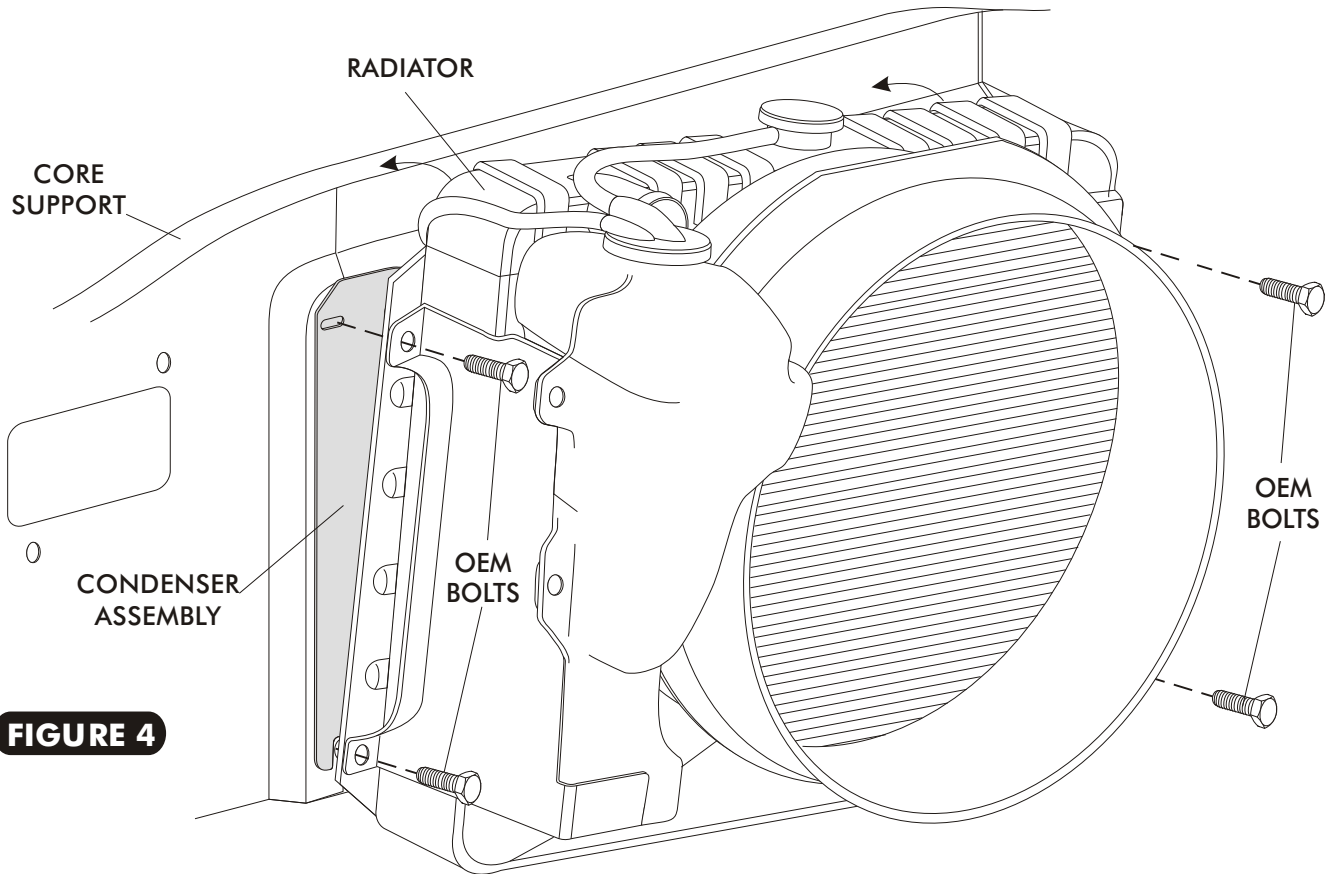


FIGURE 4

- USING THE OEM HARDWARE RE-INSTALL THE HOOD LATCH ASSEMBLY AS SHOWN IN FIGURE 5 BELOW.

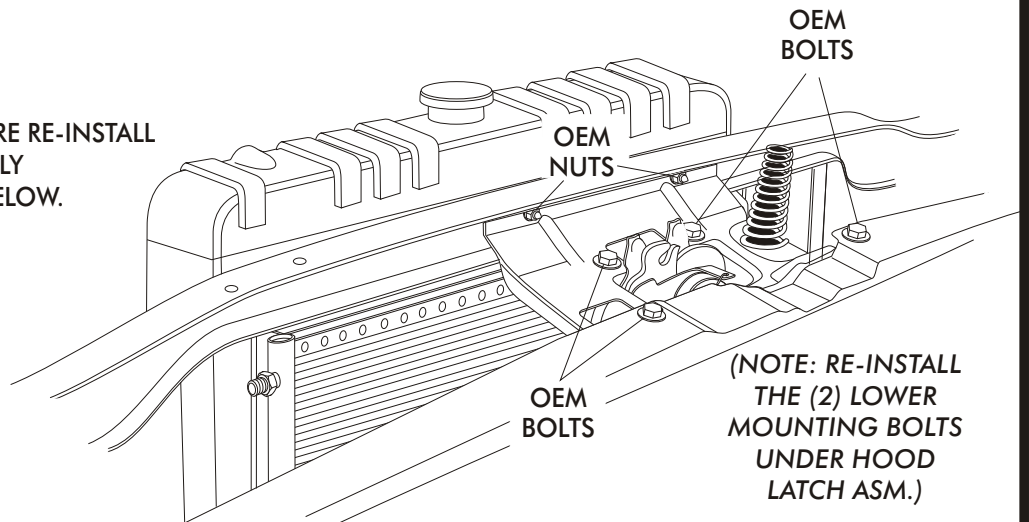


FIGURE 5



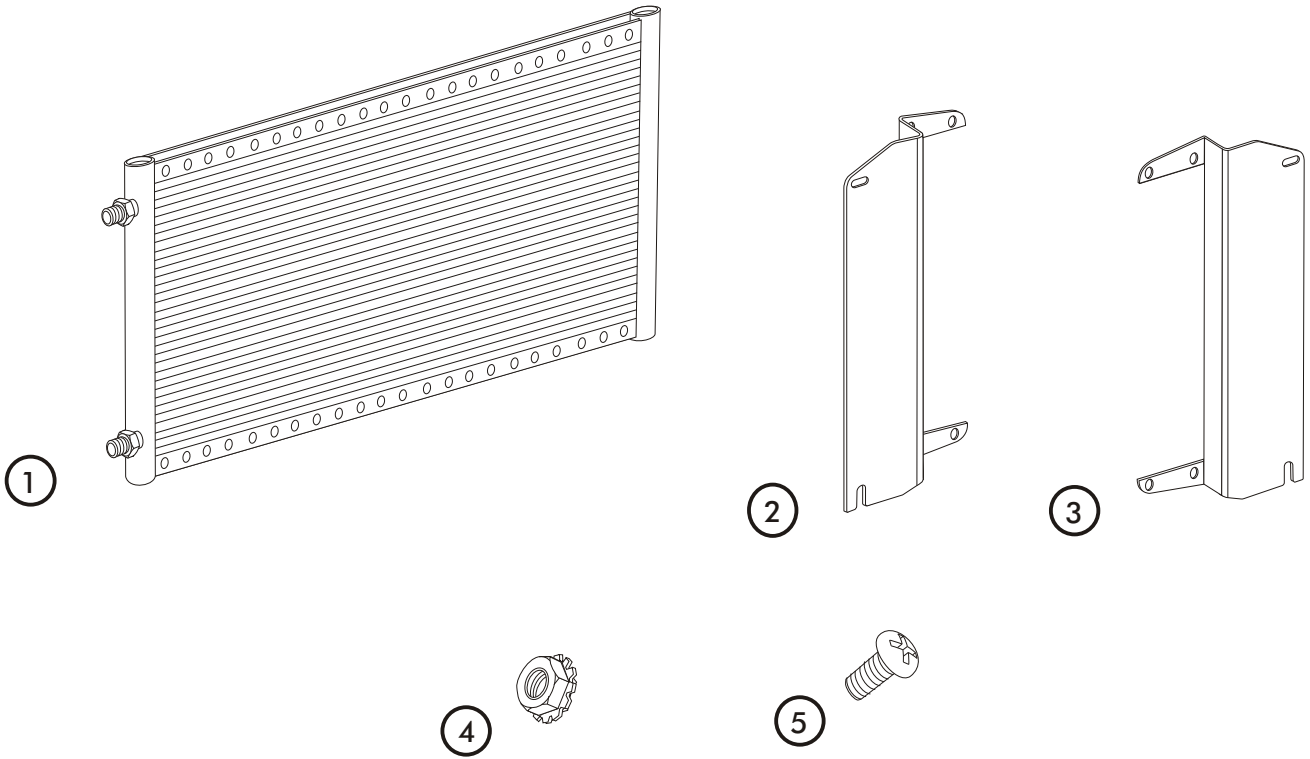
1970-74 CHALNGR/CUDA w/o AC COND KIT

CONDENSER KIT PACKING LIST

CONDENSER KIT
057072-EDA

No.	QTY.	PART No.	DESCRIPTION	
1.	1	03766-VUC	SUPER FLOW CONDENSER 14 x 22	_____
2.	1	646002-PDB	70-74 CHALNGR/CUDA W/O AC DS COND BRKT	_____
3.	1	646003-PDB	70-74 CHALNGR/CUDA W/O AC PS COND BRKT	_____
4.	8	18260-VUB	10/24 NUT w/ STAR WASHER	_____
5.	8	18249-VUB	10-24 x 3/8" PH PAN HEAD SCREW	_____

CHECKED BY: _____
 PACKED BY: _____
 DATE: _____



**NOTE: IMAGES MAY NOT DEPICT ACTUAL PARTS AND QUANTITIES.
 REFER TO PACKING LIST FOR ACTUAL PARTS AND QUANTITIES.**