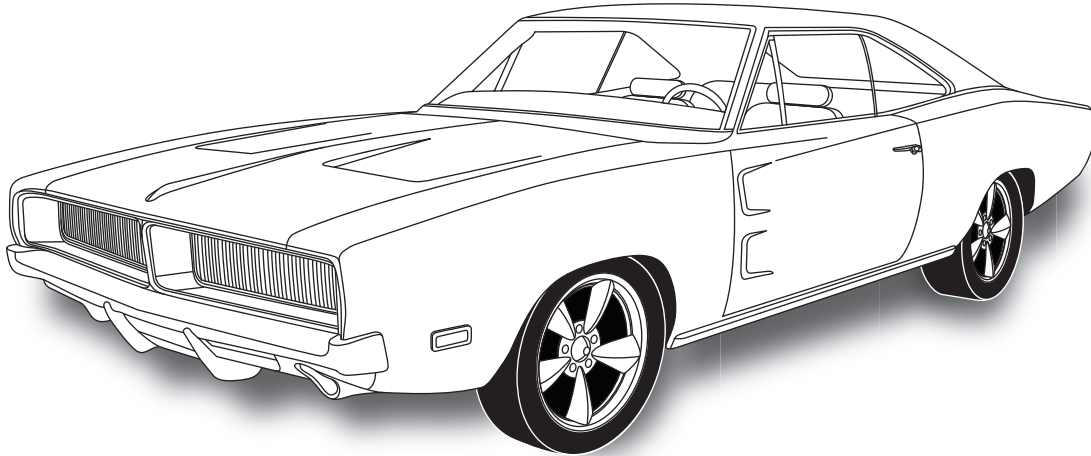




an ISO 9001:2008 Registered Company

1966-67
Dodge Charger, Coronet
Condenser Kit *without* Drier
051064



18865 Goll St. San Antonio, TX 78266
Phone: 210-654-7171
Fax: 210-654-3113
www.vintageair.com



www.vintageair.com

Table of Contents

Thank you for purchasing this condenser kit from Vintage Air. When installing these components as part of a complete SureFit™ system, Vintage Air recommends working from front to back on the vehicle, installing the condenser kit, hose kit, and compressor first, followed by the wiring, evaporator, and finally the control panel.

Cover.....	1
Table of Contents.....	2
Packing List/Parts Disclaimer.....	3
Core Support Measurements.....	4
Engine Compartment Disassembly, Mounting Bracket Installation.....	5
Condenser Installation.....	6
Packing List.....	7

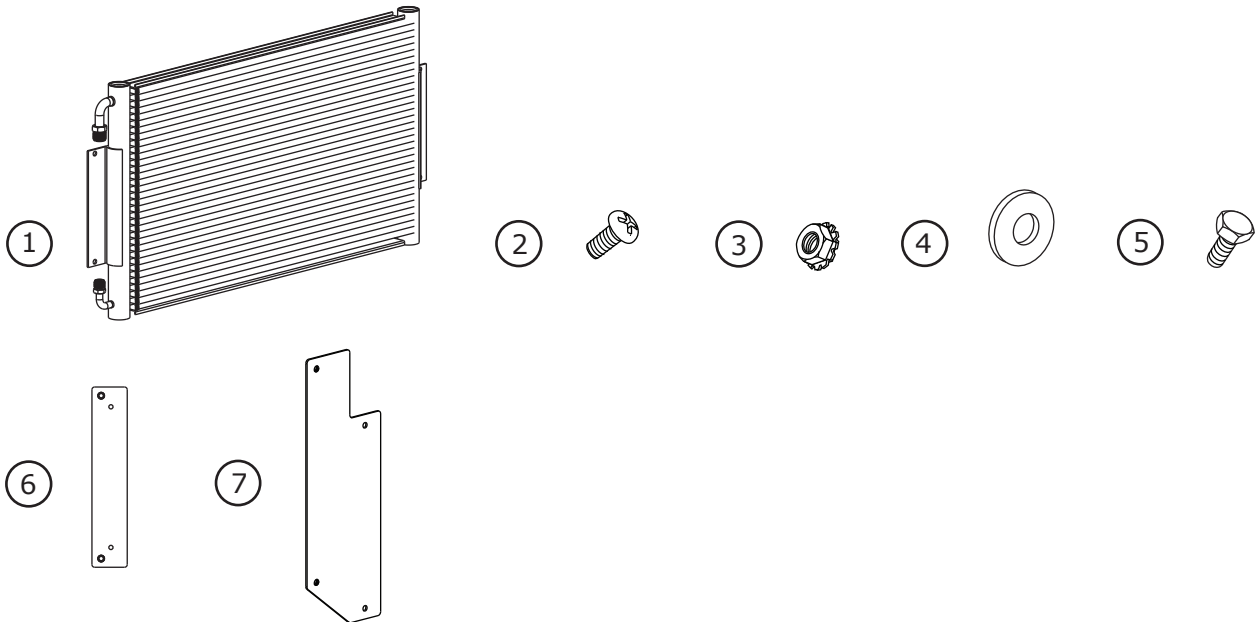


www.vintageair.com

Packing List: Condenser Kit without Drier (051064)

No.	Qty.	Part No.	Description
1.	1	037035	Condenser, 14" x 25" Parallel Flow
2.	4	18249-VUB	Screw, 10-24 x 3/8" Pan Head
3.	4	18260-VUB	Nut with Star Washer, 10-24
4.	4	18125-VUB	Washer, .250 ID x .750 OD, Flat
5.	4	18287-VUB	Hex Bolt, 1/4-20 x 1/2"
6.	1	644123	Bracket Assembly, Driver Side Condenser
7.	1	644125	Bracket Assembly, Passenger Side Condenser

**** Before beginning installation, open all packages and check contents of shipment. Please report any shortages directly to Vintage Air within 15 days. After 15 days, Vintage Air will not be responsible for missing or damaged items.**



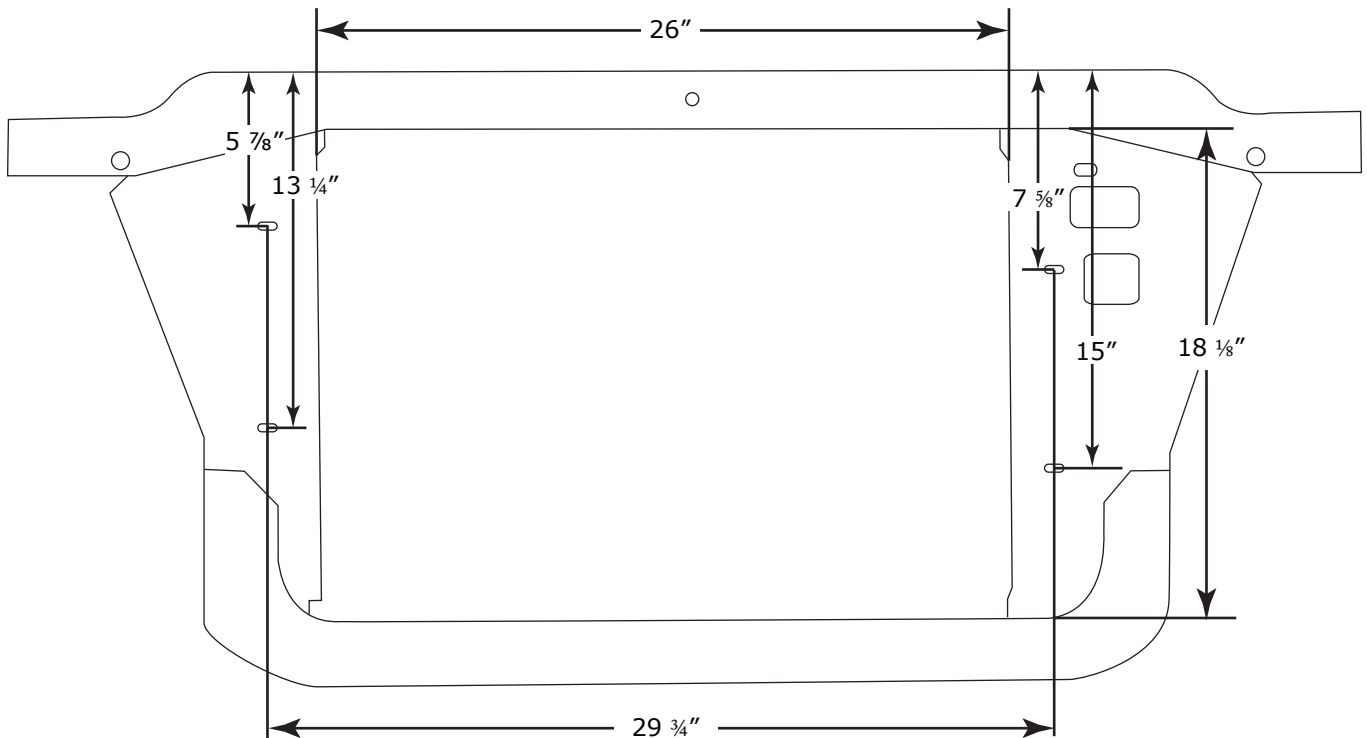
**NOTE: Images may not depict actual parts and quantities.
Refer to packing list for actual parts and quantities.**



www.vintageair.com

Measurements: 1966-67 Dodge Charger Core Support

This kit was developed based on the measurements below, which were taken from a 1966 Dodge Charger core support.



Front View



www.vintageair.com

Engine Compartment Disassembly

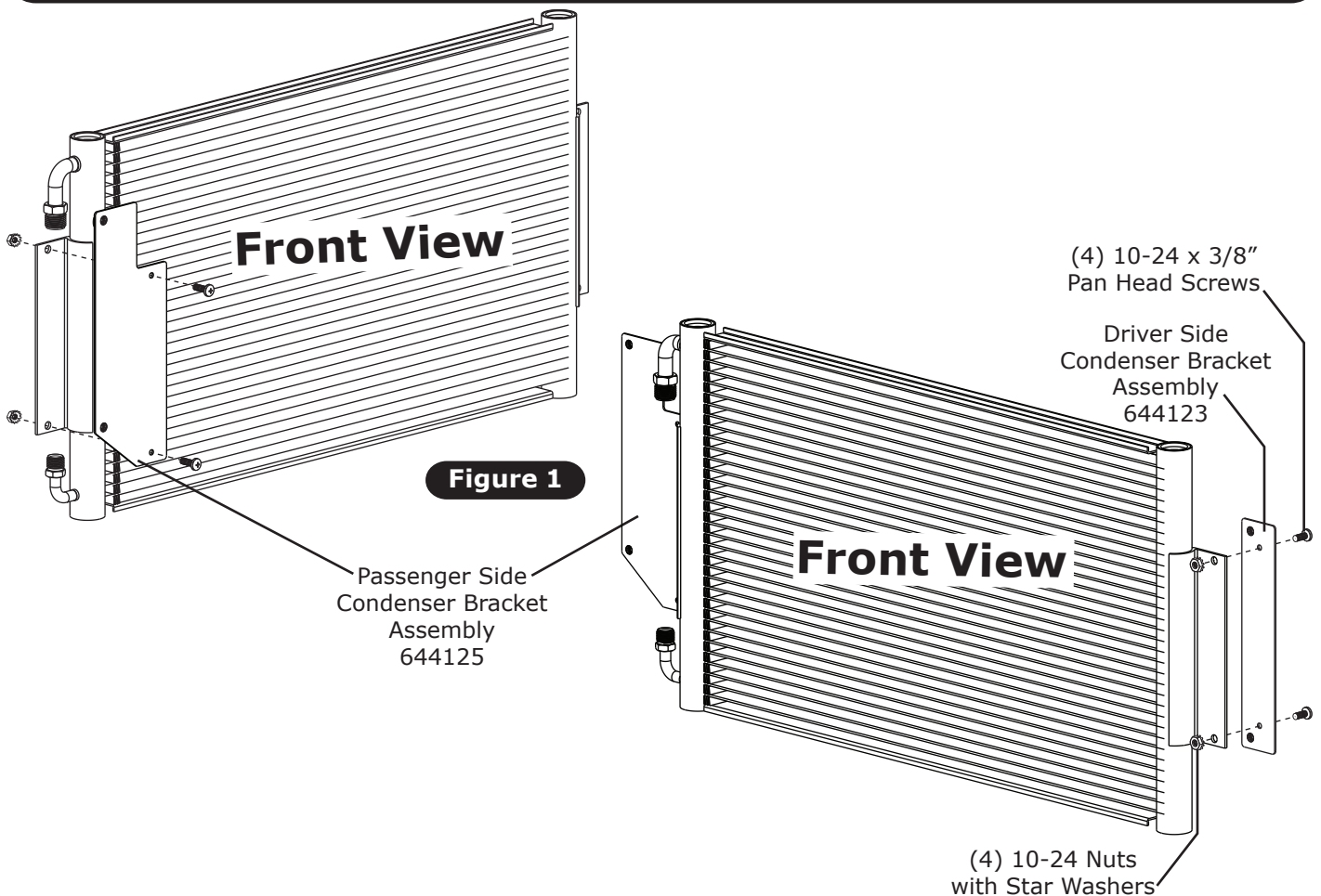
NOTE: Before starting the installation, check the function of the vehicle (horn, lights, etc.) for proper operation, and study the instructions, illustrations, & diagrams.

Perform the Following:

1. Disconnect battery.
2. Drain radiator.
3. Remove OEM fan and fan shroud (retain).
4. Remove radiator (retain).
5. Disconnect hood release cable. Remove (13) bolts from the upper grille support plate and (1) from the hood latch assembly vertical brace (retain). Remove the upper grille support plate/hood latch assembly (retain). This allows easier access for removal of the OEM A/C condenser and hardlines.
6. If vehicle is equipped with factory air, remove OEM condenser and hardlines/hoses (discard).
7. Verify that your core support dimensions match the dimensions provided on Page 4.

Mounting Bracket Installation

1. Install condenser mounting brackets onto condenser using (4) 10-24 x 3/8" pan head screws and (4) 10-24 nuts with star washers as shown in Figure 1, below. **NOTE: (A) The passenger side condenser mounting bracket assembly attaches to the front of the condenser, with the screws going from front to back through the bracket, then through the mounting tab on the condenser, and into the hex nuts with star washers as shown in Figure 1, below. (B) The driver side condenser mounting bracket is attached to the back of the condenser, with the screws going from back to front through the bracket, then through the mounting tab on the condenser, and into the hex nuts with star washers as shown in Figure 1, below.**

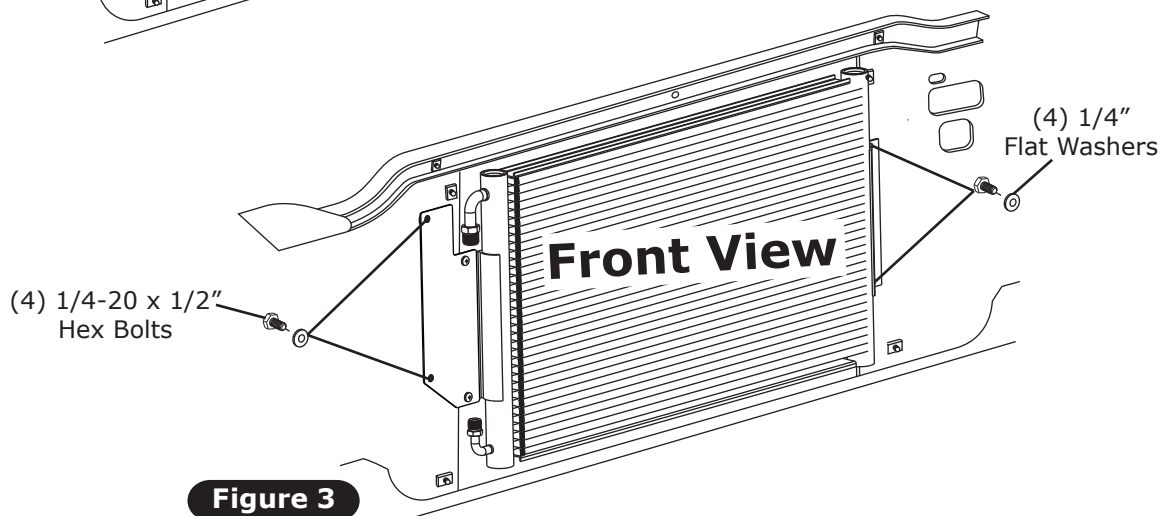
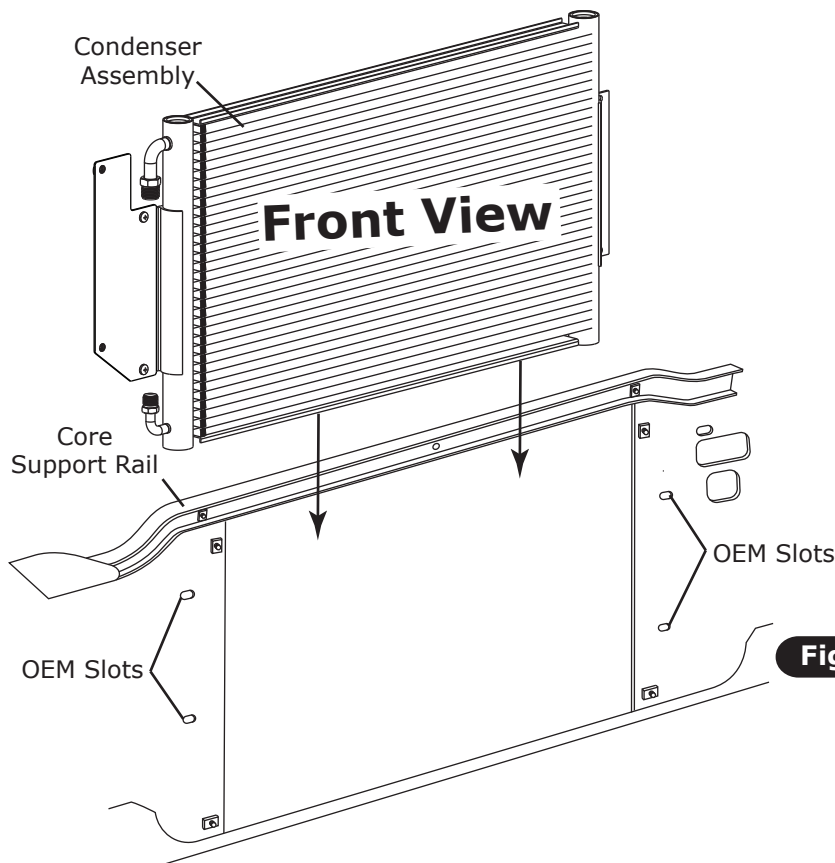




www.vintageair.com

Condenser Installation

1. Install the condenser assembly in front of the core support as shown in Figure 2, below. **NOTE: In order to clear the electric headlight motors when lowering the condenser into the vehicle, the following steps are required:**
 - A. Gently lower the condenser down in front of the core support.
 - B. Align the condenser bracket bolt holes with the OEM slots in the core support.
 - C. From the engine side, secure the condenser to the core support using (4) 1/4-20 x 1/2" hex bolts and (4) 1/4-20 flat washers.
2. Reinstall and/or reconnect all items removed or disconnected in Steps 1-5 of the Engine Compartment Disassembly instructions on Page 5. This concludes the condenser kit portion of your installation.





www.vintageair.com

Packing List: Condenser Kit without Drier (051064)

No.	Qty.	Part No.	Description
1.	1	037035	Condenser, 14" x 25" Parallel Flow
2.	4	18249-VUB	Screw, 10-24 x 3/8" Pan Head
3.	4	18260-VUB	Nut with Star Washer, 10-24
4.	4	18125-VUB	Washer, .250 ID x .750 OD, Flat
5.	4	18287-VUB	Hex Bolt, 1/4-20 x 1/2"
6.	1	644123	Bracket Assembly, Driver Side Condenser
7.	1	644125	Bracket Assembly, Passenger Side Condenser

Checked By: _____
 Packed By: _____
 Date: _____

