

# SPECIAL USE

## REAR MOUNTED SYSTEMS

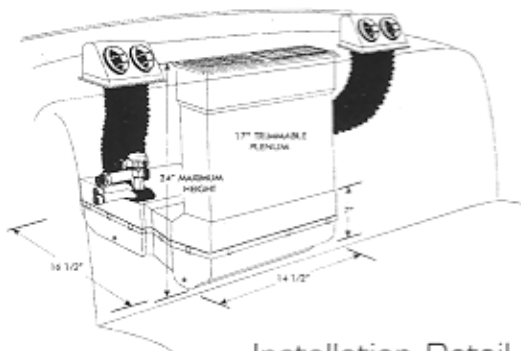
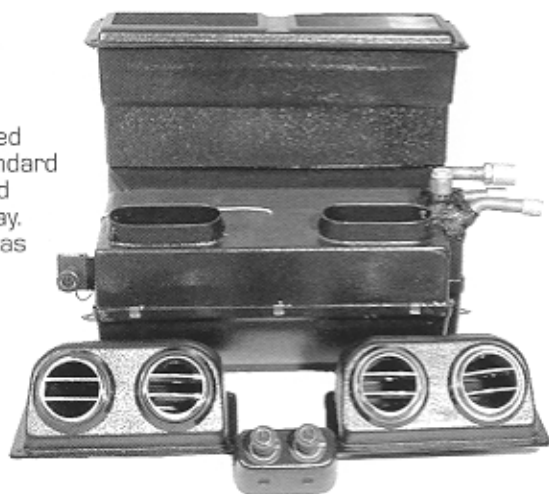
### TRUNK MONSTER™ SYSTEM

Come complete with:  
Evaporator and  
Mounting Brackets  
Louvers  
A/C Duct Hose  
Drain Kit

**685000-VUY-A COOL ONLY**

**BIG POWER OUT BACK!** This new trunk mounted system delivers much more volume than our standard trunk system and is great for larger cars. Molded dual louvers mount to your back seat package tray. Switch pod mount under the dash. May be used as part of a dual air system too.

**CONTROLS** Rotary knob switch pod can mount under the dash or on a console.

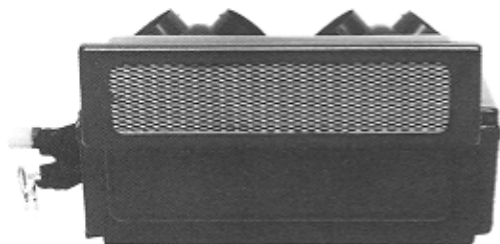
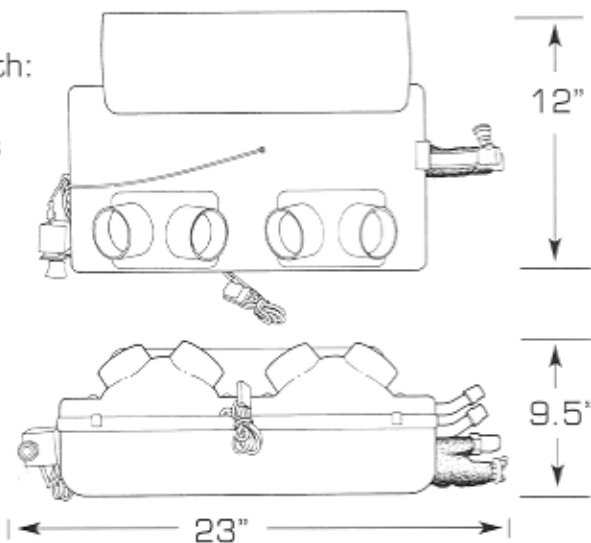


Installation Detail

**NEW!** Add electronic servo heater valve to any system - See page 27

### TRUNK MOUNT SYSTEM

Come complete with:  
Evaporator and  
Mounting Brackets  
A/C Duct Hose  
Drain Kit



**63200-VUY-A COOL ONLY**  
**63200-VUX-A HEAT & COOL**

**ANOTHER UNIQUE SOLUTION TO A/C**  
When you just don't have any under dash space to place your a/c system this unit is for you. Installs easily and features four full flow flex hoses with louvers to deliver cool air where you need it.

**CONTROLS** Comes with standard rotary knob control pod. See page 29 for other options.

### DEALER TRAINING

By the time our dealers complete one of our annual training sessions at the factory, they know air conditioning from end to end. We present them with the latest tech information and all of our new products so they can help you make the right choices with your system the first time.

