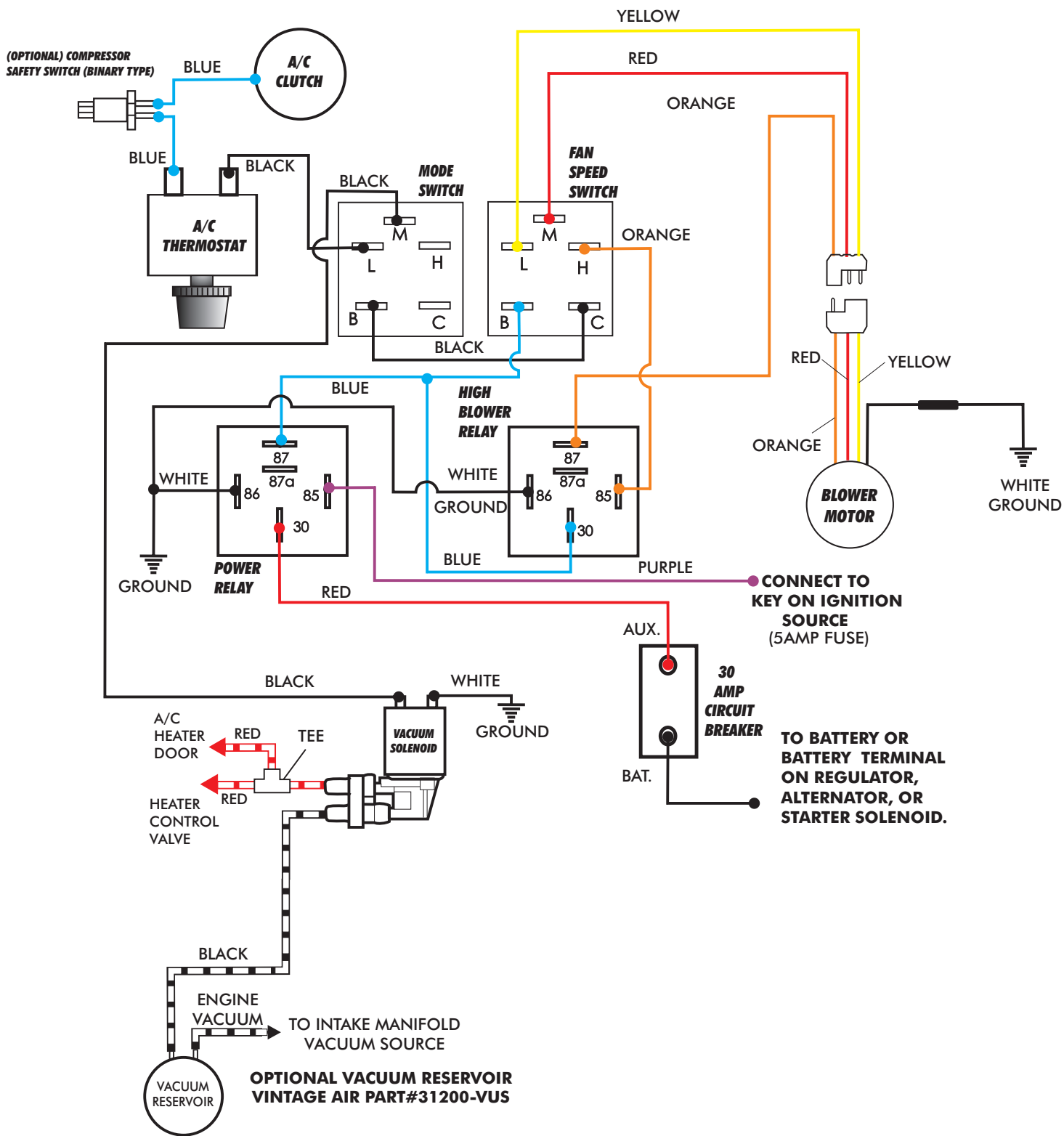




# WIRING DIAGRAM HEAT/COOL

## WIRING/VACUUM DIAGRAM HEAT/COOL



WIRES = ● ——— ●

VACUUM LINES = RED BLACK