



BINARY SWITCH KIT

w/ BEADLOCK
24679-VUS

NOTE:

1. THIS FITTING MUST BE INSTALLED IN THE HI PRESSURE LINE BETWEEN THE CONDENSER AND DRIER AND THE EVAPORATOR.
2. WIRE ACCORDING TO WIRING DIAGRAM A.

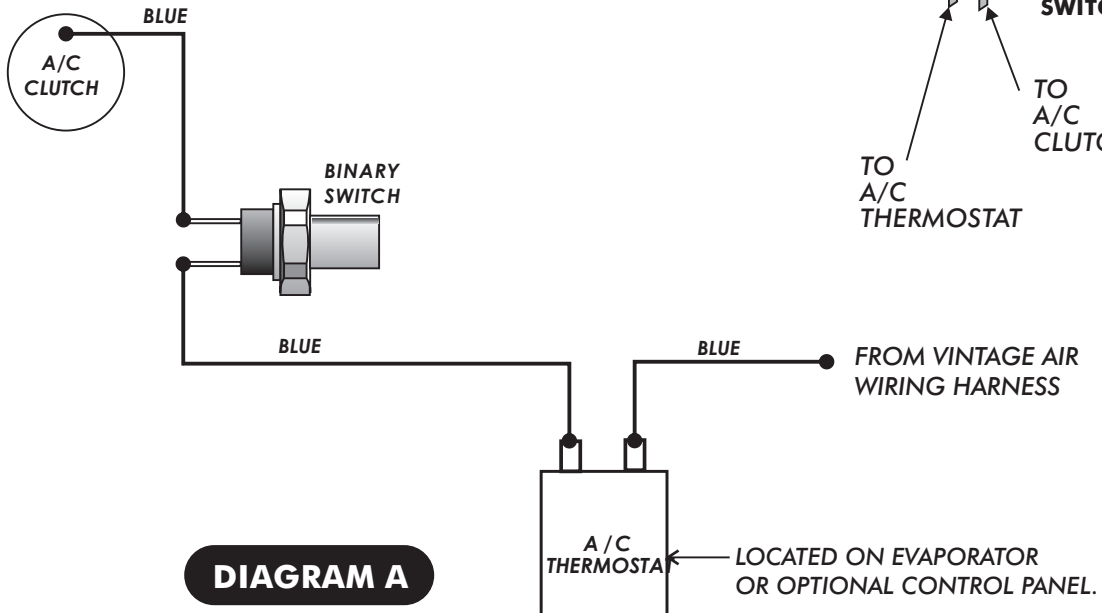
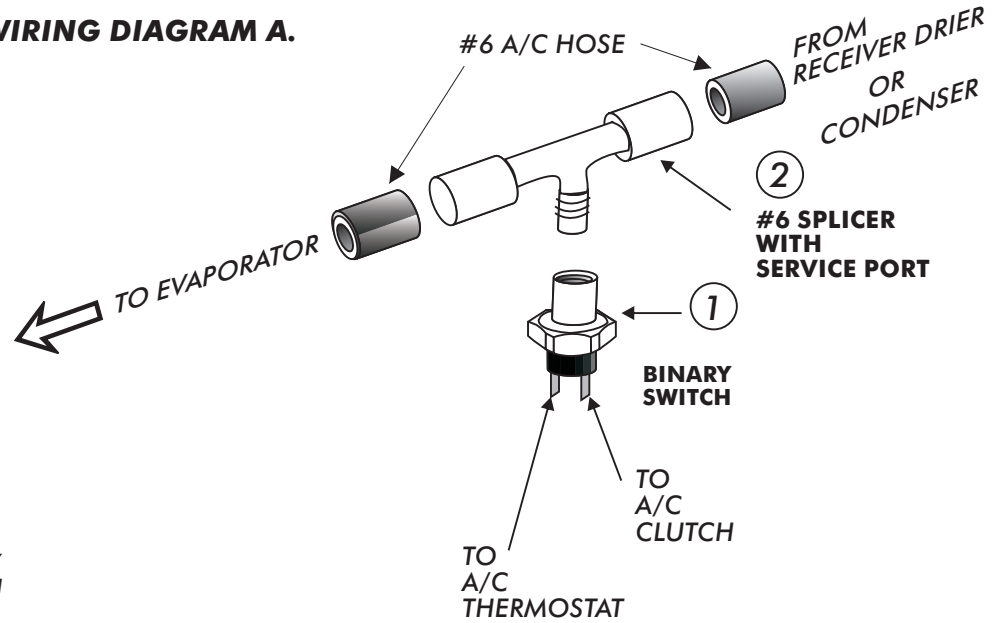


DIAGRAM A

DRIER KIT PACKING LIST

No.	QTY.	PART No.	DESCRIPTION
1.	1	11078-VUS	BINARY SWITCH
2.	1	34829-VUG	#6 SPLICER w/ SERV. PORT

CHECKED BY: _____
 PACKED BY: _____
 DATE: _____