

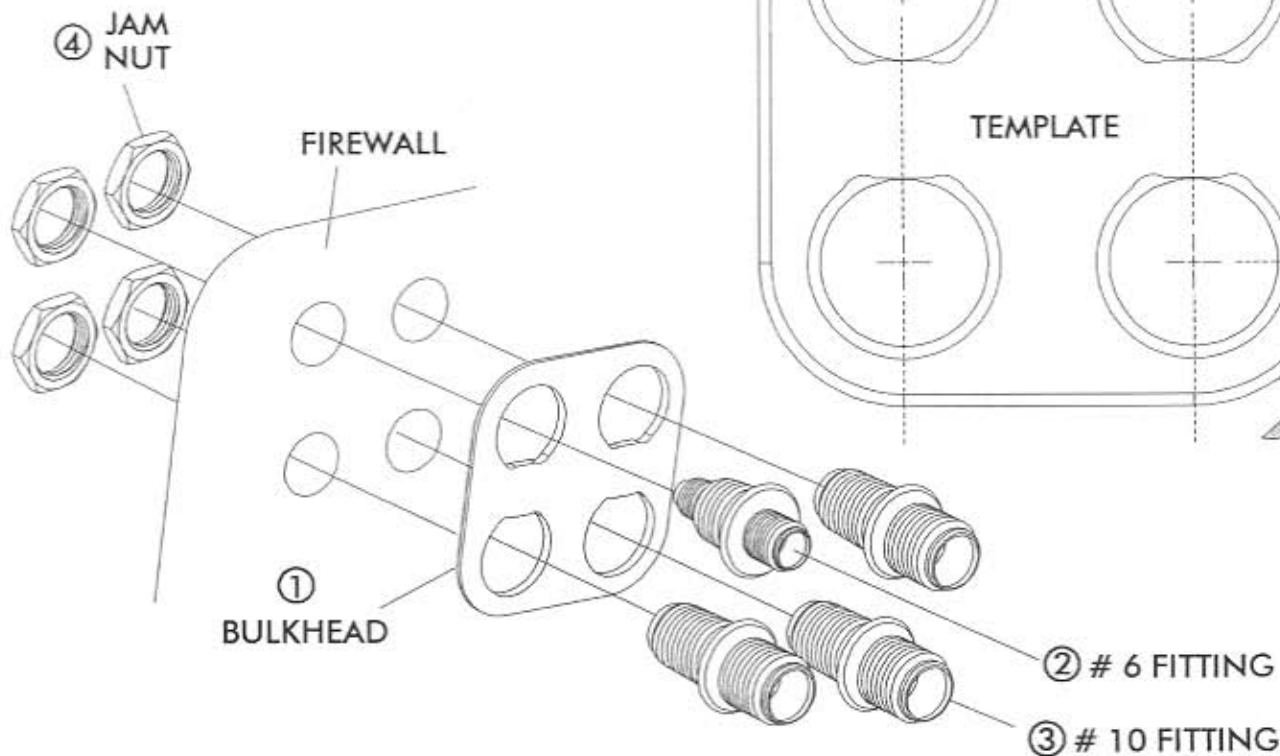
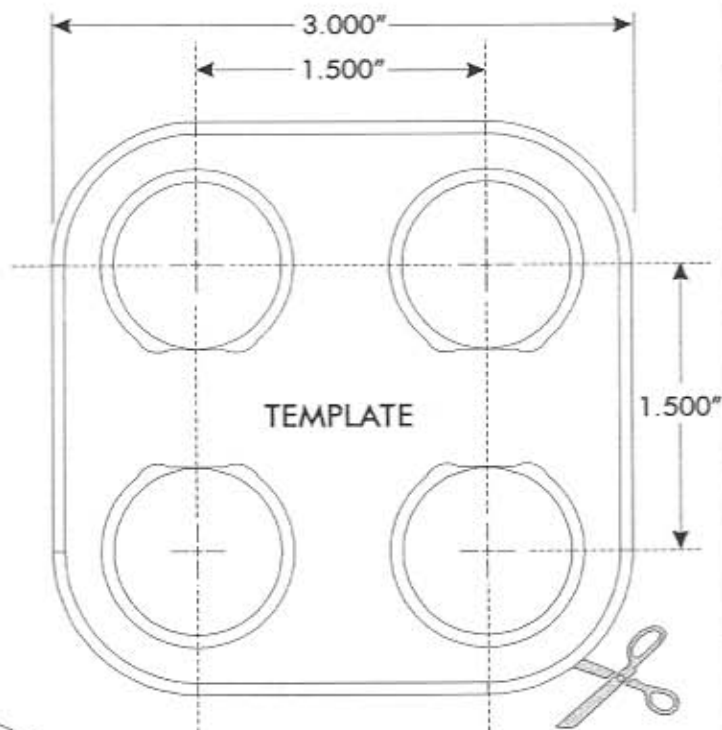


STREAMLINE BULKHEAD 4-WAY SQUARE

384600-MBA STREAMLINE BULKHEAD 4-WAY SQUARE #6 - #10

- CUT OUT BULKHEAD TEMPLATE AND LOCATE WHERE YOU WOULD LIKE TO PLACE YOUR BULKHEAD.
- LEVEL AND TAPE BULKHEAD TEMPLATE INTO PLACE, USE A SMALL CENTER PUNCH AND MARK HOLES.
- DRILL 7/8" HOLES FOR BULKHEAD FITTINGS AND INSTALL BULKHEAD WITH FITTINGS AS SHOWN.

NOTE: FITTINGS MAY BE ARRANGED IN ANY CONFIGURATION.



STREAMLINE BULKHEAD 4-WAY SQUARE #6 - #10

384600-MBA

No.	QTY.	PART NO.	DESCRIPTION	CHECK LIST
1.	1	384300-MBQ	STRM 4 WAY SQUARE BKHD	_____
2.	1	334006-VOR	STRM BKHD #6 MALE FITTING	_____
3.	3	334010-VOR	STRM BKHD #10 MALE FITTING	_____
4.	4	35335-VUQ	7/8-14 JAM NUT	_____

CHECKED BY: _____
 PACKED BY: _____
 DATE: _____